

# JVC

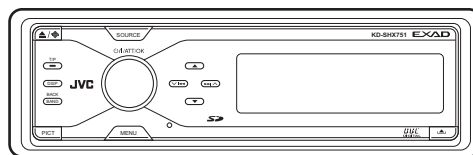
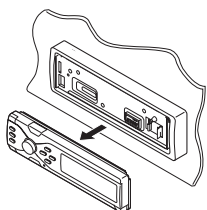
## SERVICE MANUAL

### CD/SD RECEIVER

# KD-SHX751

#### Area suffix

E ----- Southern Europe  
EX ----- Northern Europe  
EY ----- Eastern Europe  
EU ----- Turkey



**EXAD**



**PICT**



### TABLE OF CONTENTS

1	PRECAUTIONS .....	1-3
2	SPECIFIC SERVICE INSTRUCTIONS .....	1-6
3	DISASSEMBLY .....	1-7
4	ADJUSTMENT .....	1-22
5	TROUBLESHOOTING .....	1-29


# SPECIFICATION


<b>AUDIO AMPLIFIER SECTION</b>		
Maximum Power Output	Front	52 W per channel
	Rear	52 W per channel
Continuous Power Output (RMS)	Front	22 W per channel into 4 $\Omega$ , 40 Hz to 20 000 Hz at no more than 0.8% total harmonic distortion.
	Rear	22 W per channel into 4 $\Omega$ , 40 Hz to 20 000 Hz at no more than 0.8% total harmonic distortion.
Load Impedance		4 $\Omega$ (4 $\Omega$ to 8 $\Omega$ allowance)
Equalizer Control Range	Frequencies	60 Hz, 150 Hz, 400 Hz, 1 kHz, 2.4 kHz, 6 kHz, 12 kHz
	Level	$\pm 10$ dB
Frequency Response		40 Hz to 20 000 Hz
Signal-to-Noise Ratio		70 dB
Line-In Level/Impedance	LINE IN	1.5 V/20 k $\Omega$ load
Line-Out Level/Impedance	LINE OUT	5.0 V/20 k $\Omega$ load (full scale)
Output Impedance		1 k $\Omega$
Other Terminals		SUBWOOFER OUT Changer control Steering wheel remote input
<b>TUNER SECTION</b>		
Frequency Range	FM	87.5 MHz to 108.0 MHz
	AM	(MW) 522 kHz to 1 620 kHz (LW) 144 kHz to 279 kHz
FM Tuner	Usable Sensitivity	11.3 dBf (1.0 $\mu$ V/75 $\Omega$ )
	50 dB Quieting Sensitivity	16.3 dBf (1.8 $\mu$ V/75 $\Omega$ )
	Alternate Channel Selectivity (400 kHz)	65 dB
	Frequency Response	40 Hz to 15 000 Hz
	Stereo Separation	35 dB
	Capture Ratio	1.5 dB
MW Tuner	Sensitivity	20 $\mu$ V
	Selectivity	65 dB
LW Tuner	Sensitivity	50 $\mu$ V
<b>CD/SD PLAYER SECTION</b>		
Type		Compact disc player
Signal Detection System		Non-contact optical pickup (semiconductor laser)
Number of Channels		2 channels (stereo)
Frequency Response		5 Hz to 20 000 Hz
Dynamic Range		98 dB
Signal-to-Noise Ratio		102 dB
Wow and Flutter		Less than measurable limit
MP3 (MPEG Audio Layer 3)	Max. Bit Rate	320 kbps
WMA (Windows Media Audio)	Max. Bit Rate	192 kbps
Playable SD Card	Format	FAT 12/16
	Storage	Up to 512 MB
Playable Audio Format for SD Card		MP3/WMA
<b>GENERAL</b>		
Power Requirement	Operating Voltage	DC 14.4 V (11 V to 16 V allowance)
Grounding System		Negative ground
Allowable Operating Temperature		0°C to +40°C
Dimensions (W $\times$ H $\times$ D)	Installation Size (approx.)	182 mm $\times$ 52 mm $\times$ 157 mm
	Panel Size (approx.)	188 mm $\times$ 58 mm $\times$ 13 mm
Mass (approx.)		1.7 kg (excluding accessories)

- Design and specifications are subject to change without notice.
- Microsoft and Windows Media are either registered trademarks or trademarks of Microsoft Corporation in the United States and/or other countries.
- SD logo is a trademark.

# SECTION 1 PRECAUTIONS

## 1.1 Safety Precautions

 **CAUTION** Burrs formed during molding may be left over on some parts of the chassis. Therefore, pay attention to such burrs in the case of performing repair of this system.

 **CAUTION** Please use enough caution not to see the beam directly or touch it in case of an adjustment or operation check.

## 1.2 Preventing static electricity

Electrostatic discharge (ESD), which occurs when static electricity stored in the body, fabric, etc. is discharged, can destroy the laser diode in the traverse unit (optical pickup). Take care to prevent this when performing repairs.

### 1.2.1 Grounding to prevent damage by static electricity

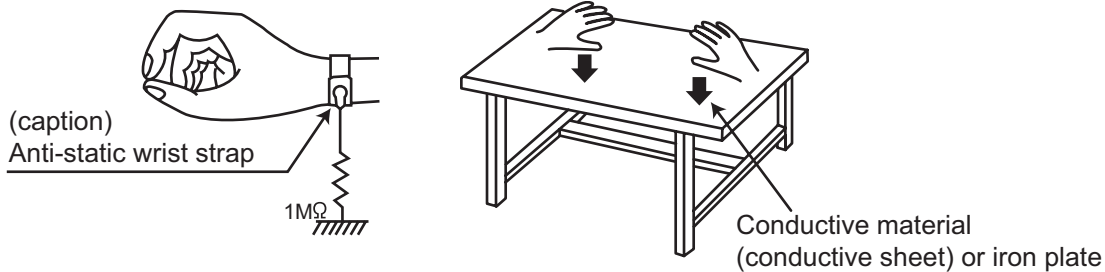
Static electricity in the work area can destroy the optical pickup (laser diode) in devices such as CD players. Be careful to use proper grounding in the area where repairs are being performed.

(1) Ground the workbench

Ground the workbench by laying conductive material (such as a conductive sheet) or an iron plate over it before placing the traverse unit (optical pickup) on it.

(2) Ground yourself

Use an anti-static wrist strap to release any static electricity built up in your body.



(3) Handling the optical pickup

- In order to maintain quality during transport and before installation, both sides of the laser diode on the replacement optical pickup are shorted. After replacement, return the shorted parts to their original condition. (Refer to the text.)
- Do not use a tester to check the condition of the laser diode in the optical pickup. The tester's internal power source can easily destroy the laser diode.

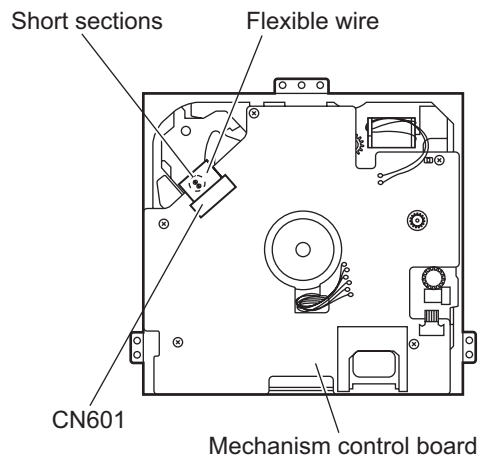
## 1.3 Handling the traverse unit (optical pickup)

- (1) Do not subject the traverse unit (optical pickup) to strong shocks, as it is a sensitive, complex unit.
- (2) Cut off the shorted part of the flexible cable using nippers, etc. after replacing the optical pickup. For specific details, refer to the replacement procedure in the text. Remove the anti-static pin when replacing the traverse unit. Be careful not to take too long a time when attaching it to the connector.
- (3) Handle the flexible cable carefully as it may break when subjected to strong force.
- (4) It is not possible to adjust the semi-fixed resistor that adjusts the laser power. Do not turn it.

## 1.4 Attention when traverse unit is decomposed

**\*Please refer to "Disassembly method" in the text for the CD pickup unit.**

- Apply solder to the short land before the flexible wire is disconnected from the connector on the CD pickup unit. (If the flexible wire is disconnected without applying solder, the CD pickup may be destroyed by static electricity.)
- In the assembly, be sure to remove solder from the short land after connecting the flexible wire.



**1.5 Important for laser products**

**1.CLASS 1 LASER PRODUCT**


**2.DANGER** : Invisible laser radiation when open and interlock failed or defeated. Avoid direct exposure to beam.

**3.CAUTION** : There are no serviceable parts inside the Laser Unit. Do not disassemble the Laser Unit. Replace the complete Laser Unit if it malfunctions.

**4.CAUTION** : The CD,MD and DVD player uses invisible laser radiation and is equipped with safety switches which prevent emission of radiation when the drawer is open and the safety interlocks have failed or are defeated. It is dangerous to defeat the safety switches.

**5.CAUTION** : If safety switches malfunction, the laser is able to function.

**6.CAUTION** : Use of controls, adjustments or performance of procedures other than those specified here in may result in hazardous radiation exposure.

 **CAUTION** Please use enough caution not to see the beam directly or touch it in case of an adjustment or operation check.

**CAUTION** : Visible and invisible laser radiation when open and interlock failed or defeated.  
AVOID DIRECT EXPOSURE TO BEAM.

**ADVARSEL** : Synlig og usynlig laserstråling når maskinen er åben eller interlocken fejler. Undgå direkte eksponering til stråling.

**VARNING** : Synlig och osynlig laserstråling när den öppnas och spärren är urkopplad. Betrakta ej strålen.

**VARO** : Avattaessa ja suojalukitus ohitettuna tai viallisena olet alltiina näkyvälle ja näkymättömälle lasersäteilylle. Vältä säteen kohdistumista suoraan itseesi.

**REPRODUCTION AND POSITION OF LABELS**

**WARNING LABEL**



<p><b>CAUTION</b> : Visible and Invisible laser radiation when open and interlock failed or defeated. AVOID DIRECT EXPOSURE TO BEAM. (e)</p>	<p><b>ADVARSEL</b> : Synlig og usynlig laserstråling når maskinen er åben eller interlocken fejler. Undgå direkte eksponering til stråling. (d)</p>	<p><b>VARNING</b> : Synlig och osynlig laserstråling när den öppnas och spärren är urkopplad. Betrakta ej strålen. (s)</p>	<p><b>VARO</b> : Avattaessa ja suojalukitus ohitettuna tai viallisena olet alltiina näkyvälle ja näkymättömälle lasersäteilylle. Vältä säteen kohdistumista suoraan itseesi. (f)</p>
--	---	--	--

**SECTION 2**  
**SPECIFIC SERVICE INSTRUCTIONS**

This service manual does not describe SPECIFIC SERVICE INSTRUCTIONS.

## SECTION 3 DISASSEMBLY

### 3.1 Main body section

#### 3.1.1 Removing the front panel assembly (See Fig.1)

- (1) Push the detach button in the lower right part of the front panel assembly.
- (2) Remove the front panel assembly.

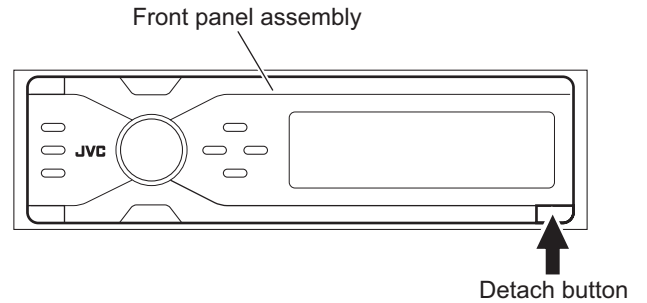


Fig.1

#### 3.1.2 Removing the heat sink (See Fig.2)

**Reference:**

- Remove the front panel assembly as required.
- (1) From the left side of the main body, remove the two screws **A** and two screws **B** attaching the heat sink.
  - (2) Remove the heat sink from the main body.

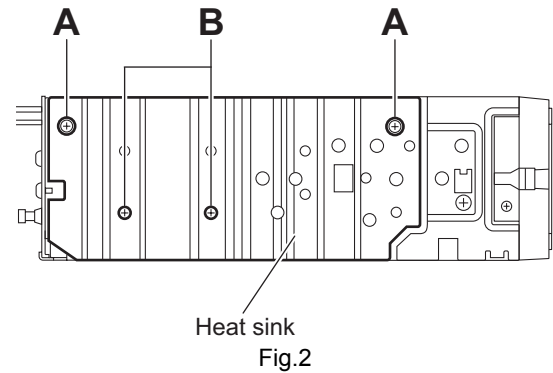


Fig.2

### 3.1.3 Removing the top chassis assembly (See Figs.3 to 6)

- Prior to performing the following procedures, remove the heat sink.

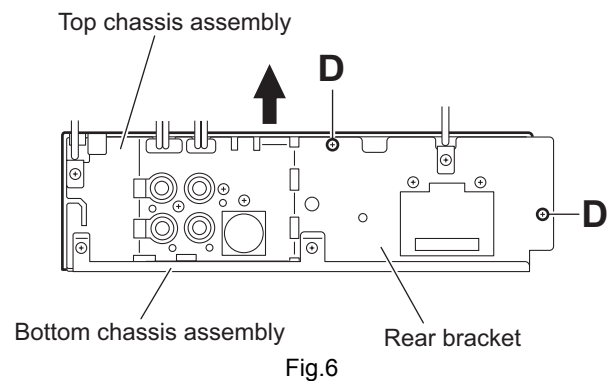
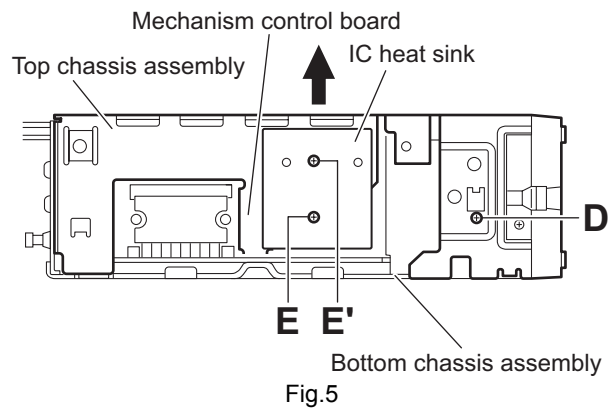
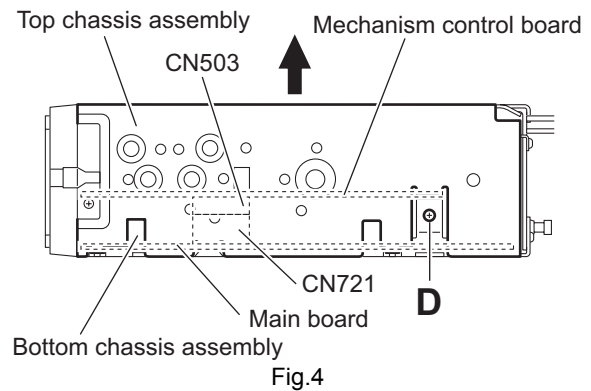
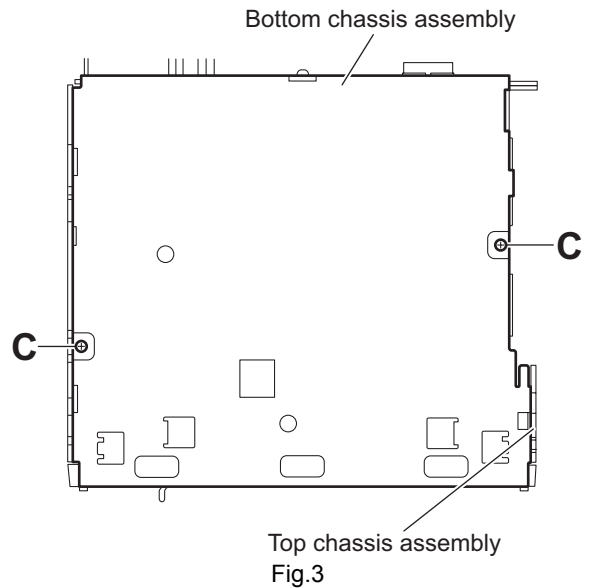
#### Reference:

Remove the front panel assembly as required.

- (1) From the bottom side of the main body, remove the two screws **C** attaching the top chassis assembly to the bottom chassis assembly. (See Fig.3)
- (2) From the both and rear sides of the main body, remove the four screws **D** attaching the top chassis assembly to the bottom chassis assembly. (See Figs.4 to 6)
- (3) Remove the screw **E** attaching the IC heat sink to bottom chassis assembly. (See Fig.5)
- (4) Lift the top chassis assembly in the direction of the arrow, disconnect the connector **CN503** on the mechanism control board from the connector **CN721** on the main board. (See Figs.4 to 6)
- (5) Take out the top chassis assembly from the bottom chassis assembly.

#### Reference:

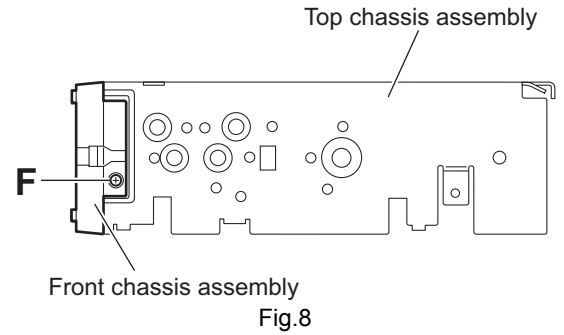
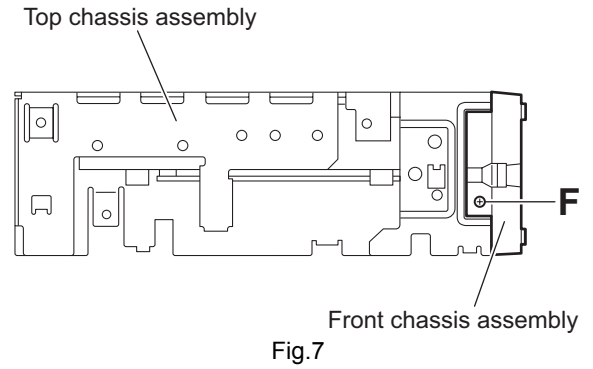
Remove the screw **E'** and the IC heat sink as required. (See Fig5)





### 3.1.4 Removing the front chassis assembly (See Figs.7 and 8)

- Prior to performing the following procedure, remove the front panel assembly, heat sink and top chassis assembly.
  - (1) From the both sides of the top chassis assembly, remove the two screws **F** attaching the front chassis assembly.
  - (2) Remove the front chassis assembly from the top chassis assembly.



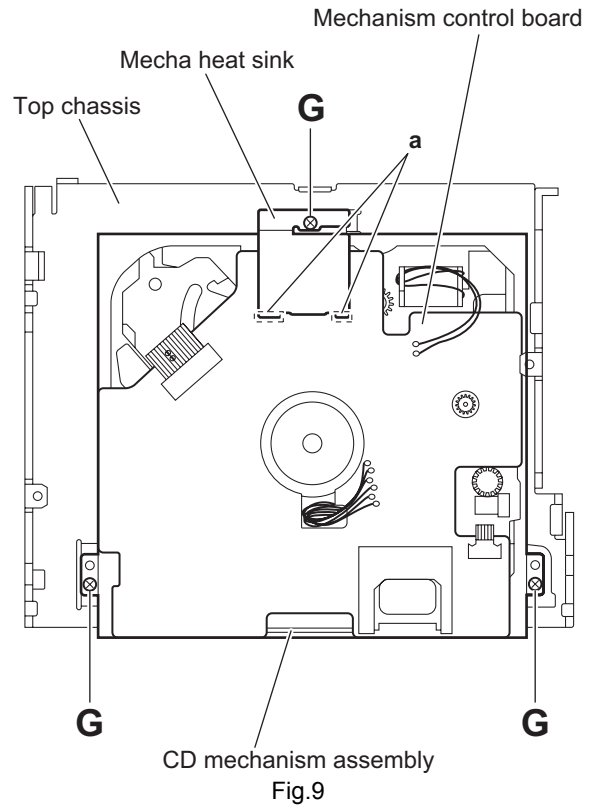
### 3.1.5 Removing the CD mechanism assembly (See Fig.9)

- Prior to performing the following procedures, remove the front panel assembly, heat sink and top chassis assembly.

#### Reference:

Remove the front chassis assembly as required.

- (1) From the inside of the top chassis assembly, remove the three screws **G** attaching the CD mechanism assembly.
- (2) Release the mecha heat sink from the slots **a** on the mechanism control board and remove the mecha heat sink from the main body.
- (3) Take out the CD mechanism assembly from the top chassis.



### 3.1.6 Removing the main board (See Figs.10 and 11)

- Prior to performing the following procedures, remove the front panel assembly, heat sink and top chassis assembly.
  - (1) From the rear side of the bottom chassis assembly, remove the two screws **H** attaching the rear bracket to the bottom chassis assembly. (See Fig.10)
  - (2) From the top side of the bottom chassis assembly, remove the two screws **J** attaching the main board to the bottom chassis assembly. (See Fig.11)
  - (3) Release the stopper of the connector **CN701** on the main board in an upward direction, disconnect the card wire from the connector **CN701**. (See Fig.11)
  - (4) Disconnect the wire from the connector of the front door mechanism assembly. (See Fig.11)
  - (5) Disconnect the wire from the connector **CN991** on the main board. (See Fig.11)

**Reference:**

After connecting the wires, fix the wires with the wire holders.

- (6) Take out the main board from the bottom chassis assembly.

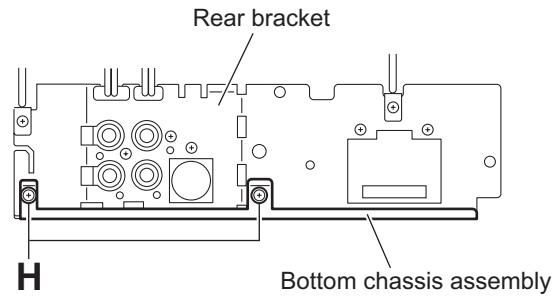


Fig. 10

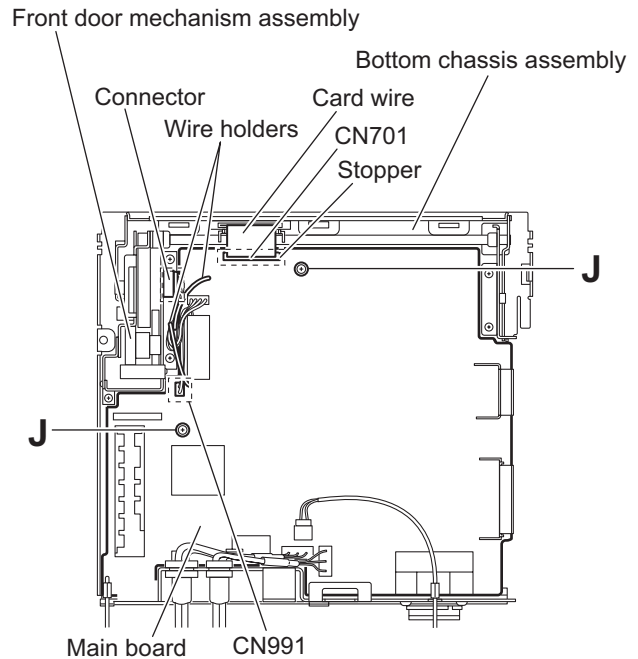


Fig. 11

### 3.1.7 Removing the rear bracket (See Fig.12)

- Prior to performing the following procedures, remove the front panel assembly, heat sink, top chassis assembly and main board.
  - (1) From the rear side of the main board, remove the wires from the rear bracket in the direction of the arrow.
  - (2) Remove the screw **K**, screw **L** and four screws **M** attaching the rear bracket to the main board.

**Reference:**

After attaching the rear bracket to the main board, pass the wires through the wire holder and insert them into the slots of the rear bracket.

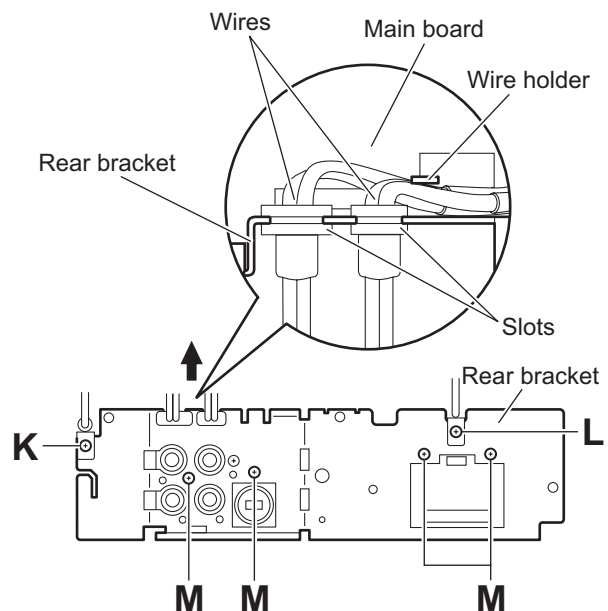


Fig. 12

### 3.1.8 Removing the front door mechanism assembly (See Fig.13)

- Prior to performing the following procedures, remove the front panel assembly, heat sink, top chassis assembly and main board.

- (1) From the top side of the bottom chassis assembly, remove the screw **N** attaching the FPC guide to the bottom chassis.
- (2) Remove the five screws **P** attaching the front door mechanism assembly to the bottom chassis.

**Reference:**

When attaching the screws **N** and **P**, apply a locking agent them.

- (3) Take out the front door mechanism assembly from the bottom chassis.

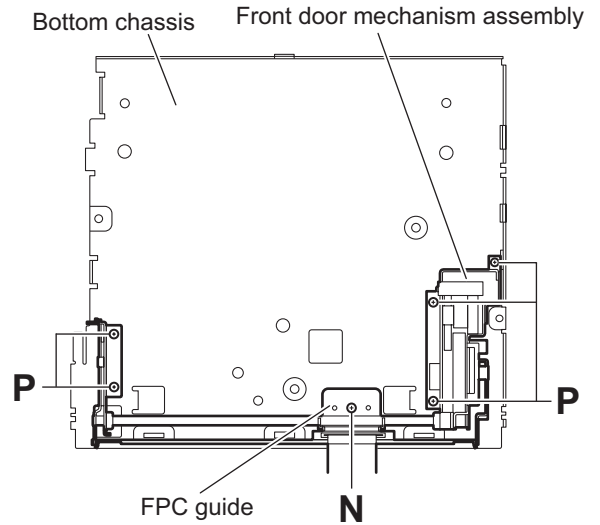


Fig.13

### 3.1.9 Removing the switch board (See Figs.14 to 16)

- Prior to performing the following procedures, remove the front panel assembly.

- (1) From the rear side of the front panel assembly, remove the six screws **Q** attaching the rear cover to the front panel assembly. (See Fig.14)
- (2) Release the two joints **b** of the front panel assembly and remove the rear cover. (See Fig.15.)
- (3) Take out the switch board from the front panel assembly. (See Fig.16)

**Note:**

When removing the rear cover assembly and switch board, be careful not to lose the spring.

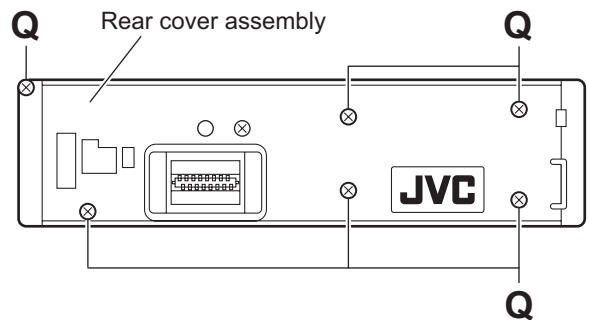


Fig.14

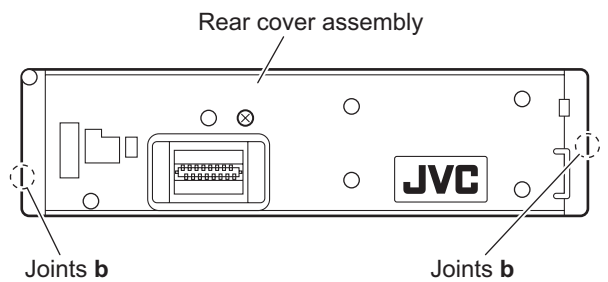


Fig.15

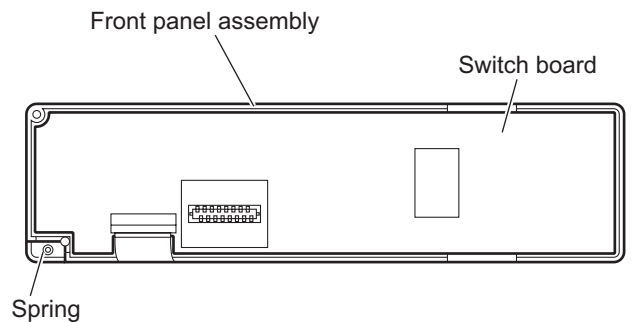


Fig.16

### 3.2 CD mechanism assembly section

- Remove the CD mechanism assembly from the main body.  
(See "3.1.5 Removing the CD mechanism assembly".)

#### 3.2.1 Removing the mechanism control board (See Fig.1)

- (1) From the bottom side of the CD mechanism assembly, solder the short sections on the flexible wire.

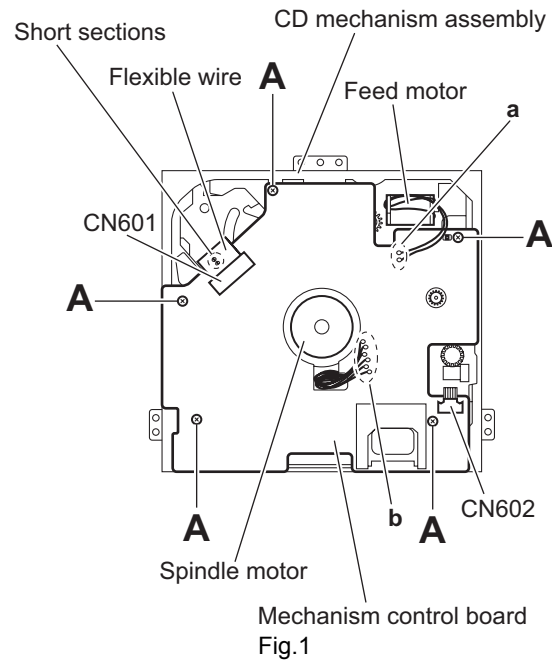
**Caution:**

Solder the short sections on the flexible wire before disconnecting the flexible wire from the connector [CN601](#) on the mechanism control board. If you do not follow this instruction, the CD pickup may be damaged.

- (2) Disconnect the flexible wire from the connector [CN601](#) on the mechanism control board.
- (3) Disconnect the flexible wire from the connector [CN602](#) on the mechanism control board.
- (4) Remove the solders from the soldered sections **a** on the mechanism control board and remove the wires of the feed motor.
- (5) Remove the solders from the soldered sections **b** on the mechanism control board, and remove each wire of the spindle motor and other parts.
- (6) Remove the five screws **A** attaching the mechanism control board.

**Caution:**

When reassembling, remove the solders from the short sections after connecting the flexible wire to the connector [CN601](#) on the mechanism control board.



### 3.2.2 Removing the top cover

(See Fig.2)

- (1) From the back side of the CD mechanism assembly, remove the two screws **B** attaching the top cover.
- (2) Take out the top cover in an upward direction.

#### Reference:

When attaching the top cover, set the sections **c** of the top cover under the bending sections **d** of the chassis base 2.

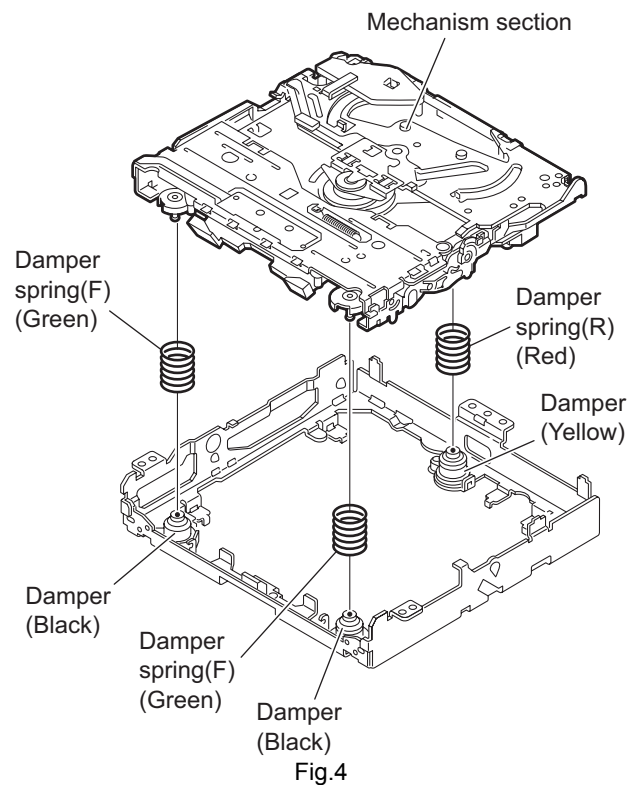
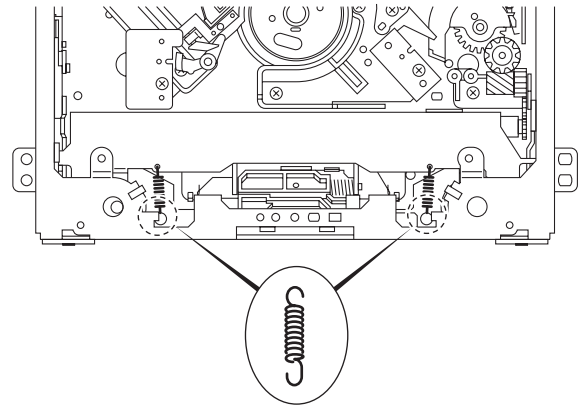
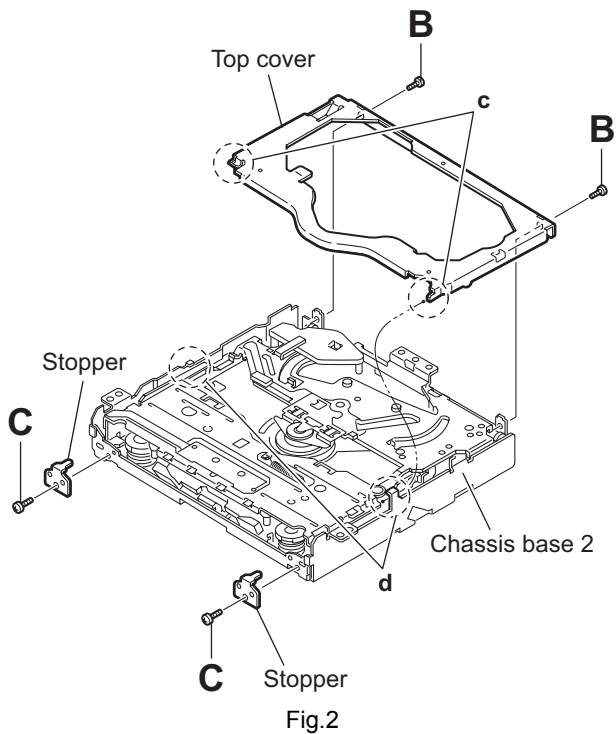
### 3.2.3 Removing the mechanism section

(See Figs.2 to 4)

- Remove the mechanism control board and top cover.
  - (1) From the front side of the CD mechanism assembly, remove the two screws **C** attaching the right and left stoppers. (See Fig.2.)
  - (2) Remove the two floating springs on the bottom side of the CD mechanism assembly. (See Fig.3.)
  - (3) Take out the mechanism section in an upward direction and remove the three damper springs from the dampers. (See Fig.4.)

#### Caution:

- When reassembling the mechanism section, reattach the damper springs to the dampers respectively and insert the three shafts on the bottom of the mechanism section to the dampers. (See Fig.4.)
- Before inserting the shaft to the dampers, apply IPA to the hole of damper.



### 3.2.4 Removing the clamper unit (See Figs.5 and 6)

- Remove the mechanism control board, top cover and mechanism section.
  - From the bottom side of the mechanism section, remove the clamper 2 spring. (See Fig.5.)
  - Release section **e** of the clamper spring from the bending section of the CD chassis assembly. (See Fig.6.)
  - Move the clamper unit 2 in the direction of the arrow and release the joints (**f**, **g**). (See Fig.5.)
  - Take out the clamper unit 2 in an upward direction. (See Fig.5.)

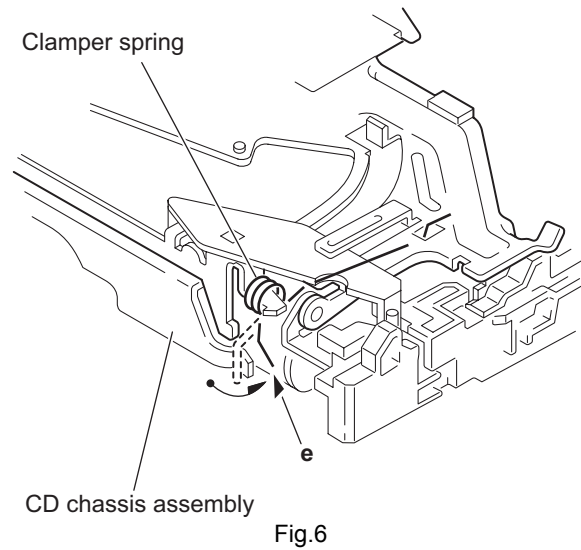
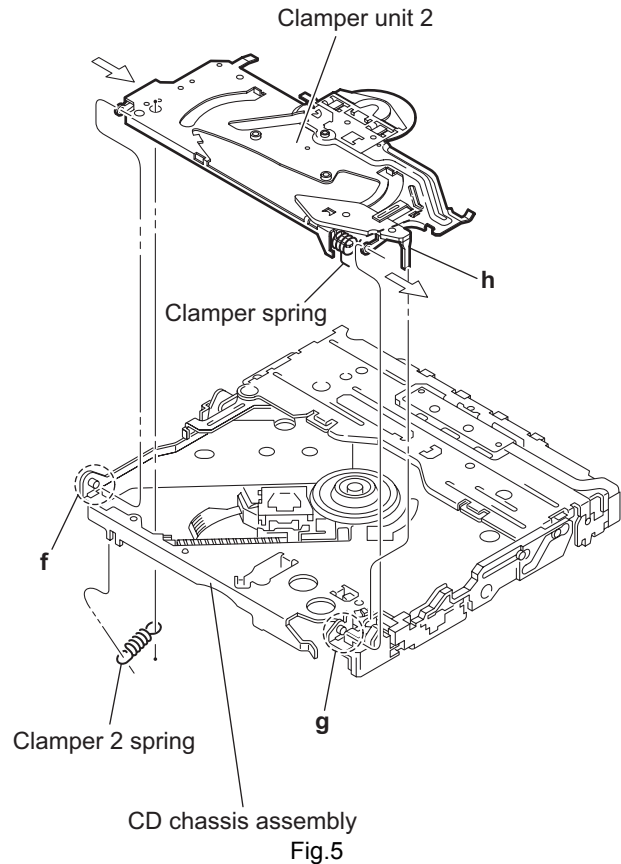
### 3.2.5 Reattaching the clamper unit (See Figs.5 to 9)

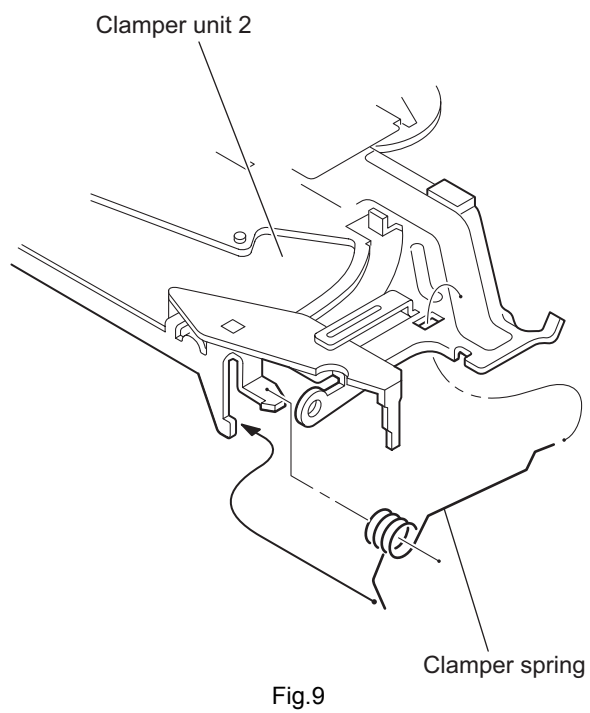
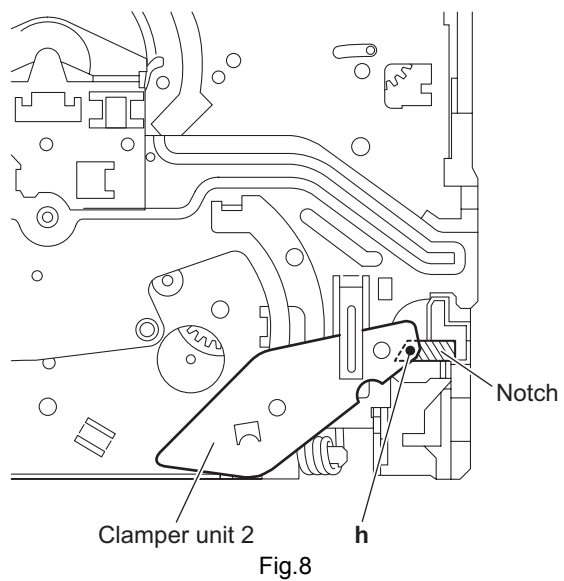
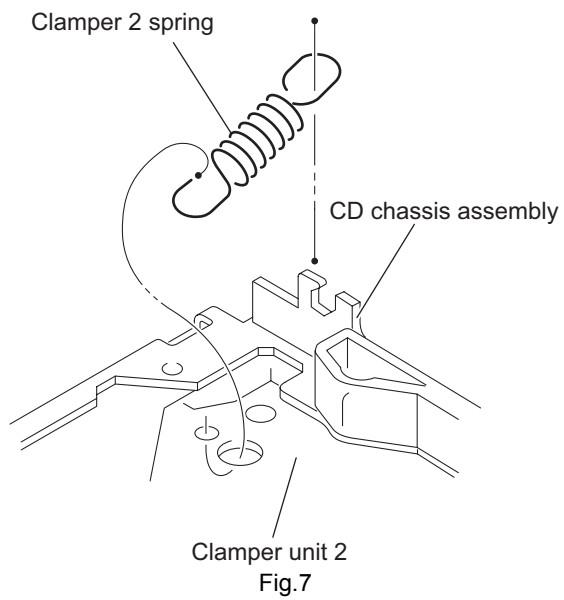
- From the bottom side of the mechanism section, attach the clamper spring to the clamper unit 2. (See Figs.5 and 9.)
- Move the clamper unit 2 to set the joints (**f**, **g**) to each projection of the CD chassis assembly. (See Fig.5.)
- Make sure that section **h** of the clamper unit 2 is inserted to the notch of the CD chassis assembly. (See Figs.5 and 8.)
- Move the clamper spring to the outside of the bending part of the CD chassis assembly. (See Fig.6.)

**Caution:**

When reattaching the clamper unit 2, temporarily hook the end of the clamper spring as shown in the figure to make the work easy. (See Fig.9.)

- Attach the clamper 2 spring to the CD chassis assembly and clamper unit 2. (See Figs.5 and 7.)



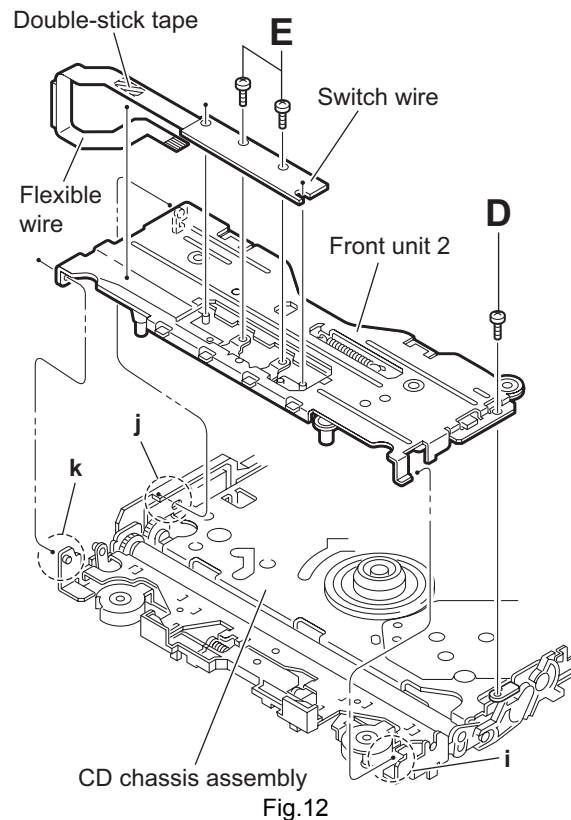
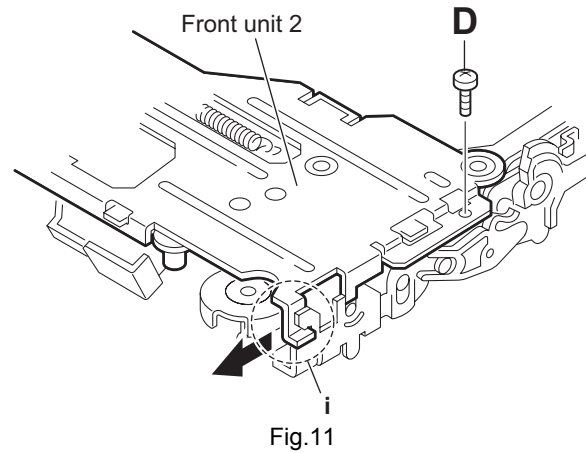
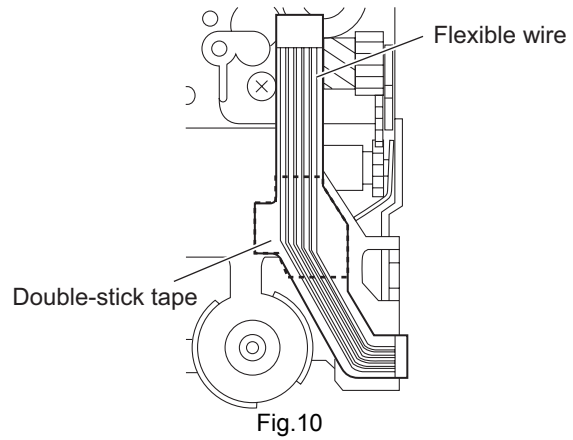


### 3.2.6 Removing the front unit (See Figs10 to 12)

- Remove the mechanism control board, top cover and mechanism section.
  - (1) From the bottom side of the mechanism section, remove the double-stick tape fixing the flexible wire. (See Fig.10.)
  - (2) From the top side of the mechanism section, remove the screw **D** attaching the front unit 2. (See Figs.11 and 12.)
  - (3) Move the front unit 2 toward the front to release the joint **i**. (See Figs.11 and 12.)
  - (4) Release two joints **j** and **k** on the right side of the CD chassis assembly. (See Fig.12.)
  - (5) Take out the front unit 2 in an upward direction.
  - (6) Remove the double-stick tape fixing the flexible wire and remove the two screws **E** attaching the switch wire. (See Fig.12.)

#### Reference:

You can remove the switch wire only without removing the front unit 2.





### 3.2.7 Removing the loading arm assembly (See Figs.13 and 14)

- Remove the mechanism control board, top cover, mechanism section and front unit 2.
  - From top side of the mechanism section, move the loading arm assembly in the direction of the arrow. (See Fig.13.)
  - Release the projections from the right and left joints (**m**, **n**) of the CD chassis assembly. (See Figs.13 and 14.)
  - Release the projection from notch **p** of the connect arm on the right side of the mechanism section and release the projection from notch **q** of the slide cam assembly on the left side. (See Figs.13 and 14.)

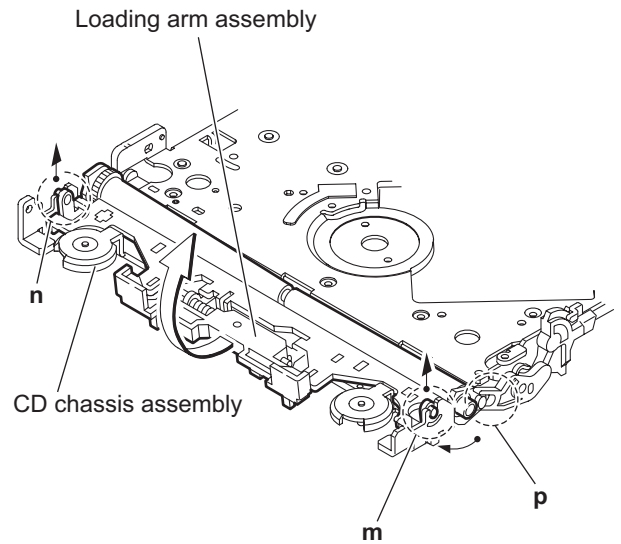


Fig.13

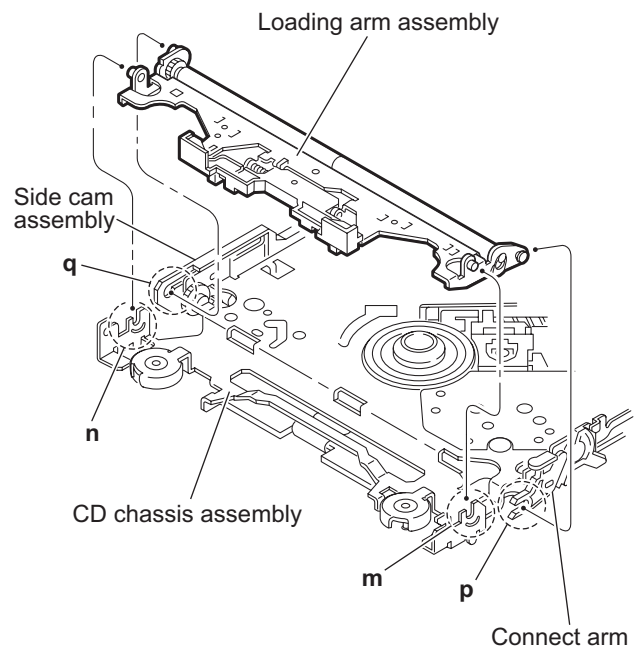


Fig.14

### 3.2.8 Removing the rod (L), rod (R) and roller assembly (See Figs.15 and 16)

- Remove the mechanism control board, top cover, mechanism section, front unit and loading arm assembly.
  - From the bottom side of the loading arm assembly, release the rod (L) and (R) from the joints r. (See Fig.15.)
  - Remove the roller assembly from the loading arm assembly. (See Fig.16.)
  - Remove the two collars and washer from the roller assembly. (See Fig.16.)

**Caution:**

After attaching the roller assembly to the loading arm assembly, attach the rod (L) and (R). Then attach the rods to the right and left collars of the roller assembly. (See Fig.15.)

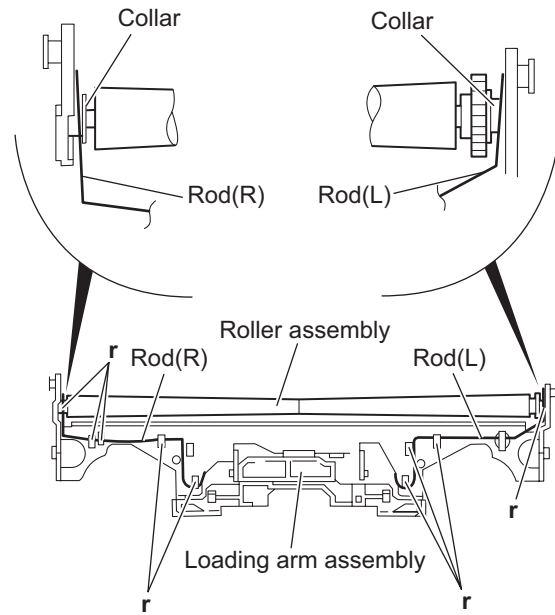


Fig.15

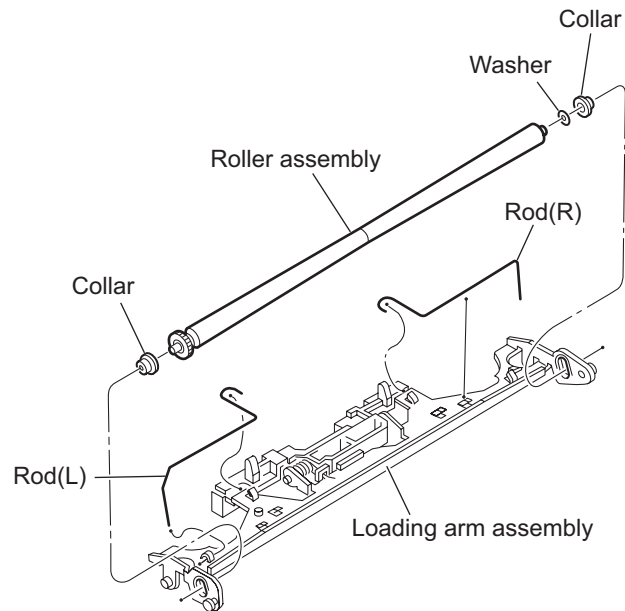


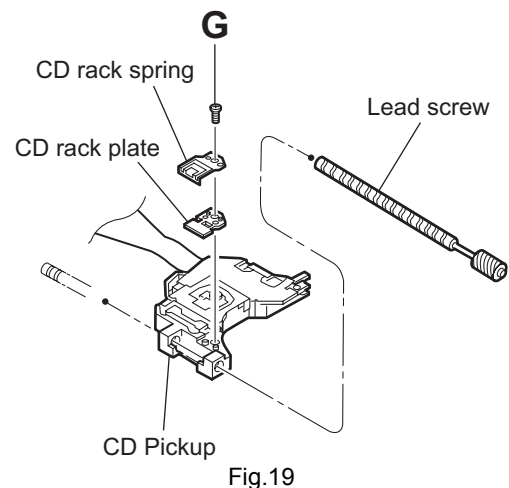
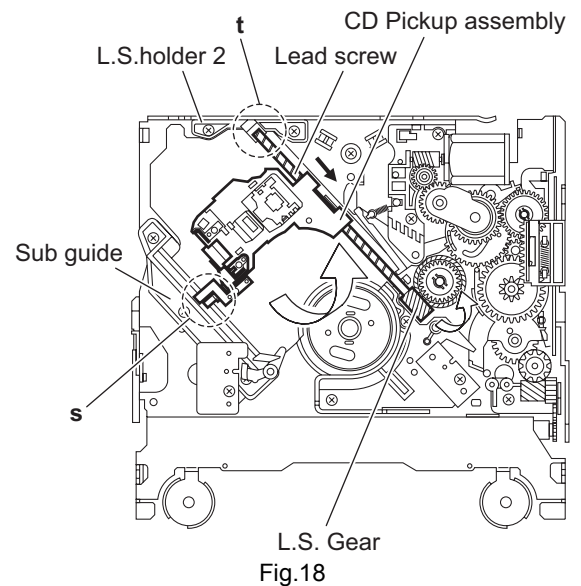
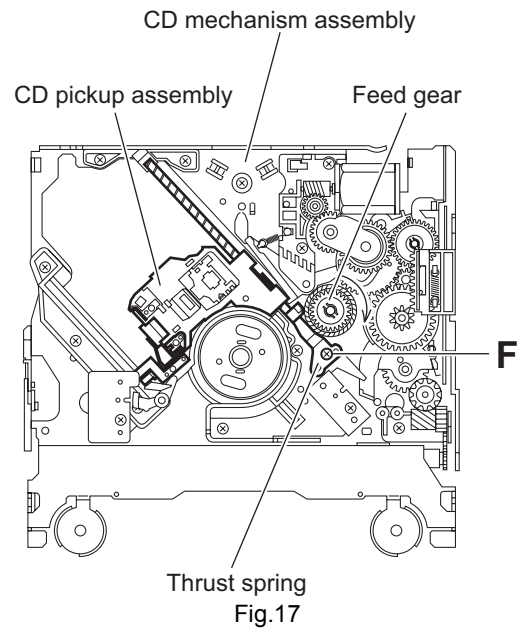
Fig.16

### 3.2.9 Removing the CD pickup (See Figs.17 to 19)

- Remove the mechanism control board.
  - (1) From the bottom side of the CD mechanism assembly, turn the feed gear in the direction of the arrow to move the CD pickup assembly outwards. (See Fig.17.)
  - (2) Remove the screw **F** and remove the thrust spring. (See Fig.17.)
  - (3) Remove the CD pickup assembly in an upward direction from the side of L.S. gear and release the CD pickup assembly from joint **s** of the sub guide. (See Fig.18.)
  - (4) Move the lead screw of the CD pickup assembly in the direction of the arrow to release at joint **t**. (See Fig.18.)
  - (5) Remove the screw **G** attaching the CD rack spring and CD rack plate on the CD pickup assembly. (See Fig.19.)
  - (6) Pull out the lead screw. (See Fig.19.)

#### Caution:

- When attaching the CD pickup assembly, attach the CD pickup assembly at joint **s** of sub guide first, and attach the lead screw to the joint **t** on the L.S. holder 2. (See Fig.18.)
- Perform electric adjustment after replacing the pickup.

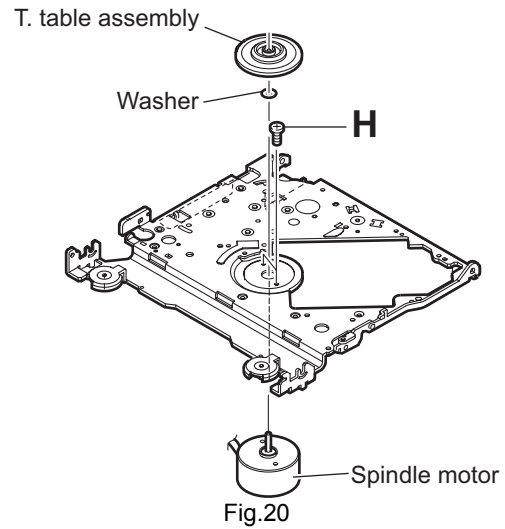


### 3.2.10 Removing the spindle motor (See Fig.20)

- Remove the mechanism control board, top cover, mechanism section and clamper unit.
  - From the top side of the mechanism section, remove the T.table assembly and washer from the spindle motor.
  - Remove the two screws **H** attaching the spindle motor.
  - Take out the spindle motor from the bottom side of the mechanism section.

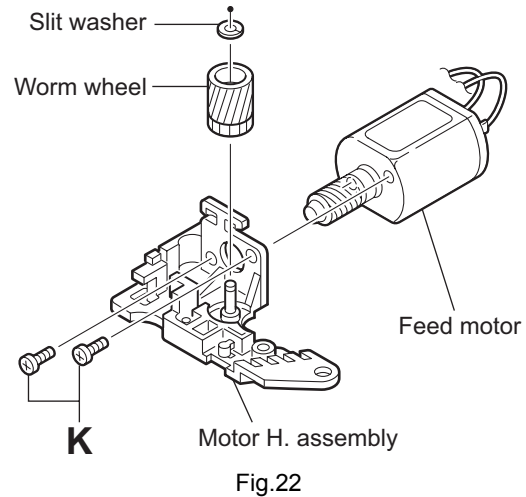
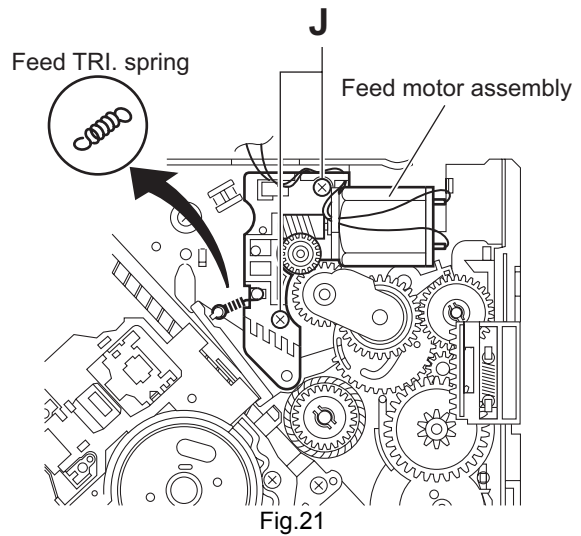
#### Caution:

Perform adjustment when reattaching the spindle motor.



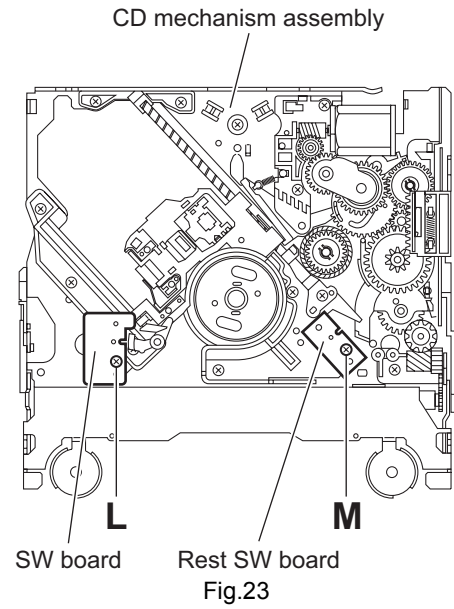
### 3.2.11 Removing the feed motor (See Figs.21 and 22)

- Remove the mechanism control board.
  - From the bottom side of the CD mechanism assembly, remove the feed TRI. spring. (See Fig.21.)
  - Remove the two screws **J** attaching the feed motor assembly. (See Fig.21.)
  - Remove the slit washer from the motor H. assembly and pull out the worm wheel. (See Fig.22.)
  - Remove the two screws **K** attaching the feed motor. (See Fig.22.)



### 3.2.12 Removing the SW board and rest SW board (See Fig.23)

- Remove the mechanism control board.
  - From the bottom side of the CD mechanism assembly, remove the screw **L** attaching the SW board.
  - Remove the screw **M** attaching the rest SW board.



## SECTION 4 ADJUSTMENT

### 4.1 Adjustment method

#### ■ Test instruments required for adjustment

- (1) Digital oscilloscope (100MHz)
- (2) Electric voltmeter
- (3) Digital tester
- (4) Tracking offset meter
- (5) Test Disc JVC :CTS-1000
- (6) Extension cable for check  
EXTDV001-20P × 1

#### ■ Standard volume position

Balance and Bass & Treble volume : Indication "0"  
Loudness : OFF

#### ■ How to connect the extension cable for adjusting

##### Caution:

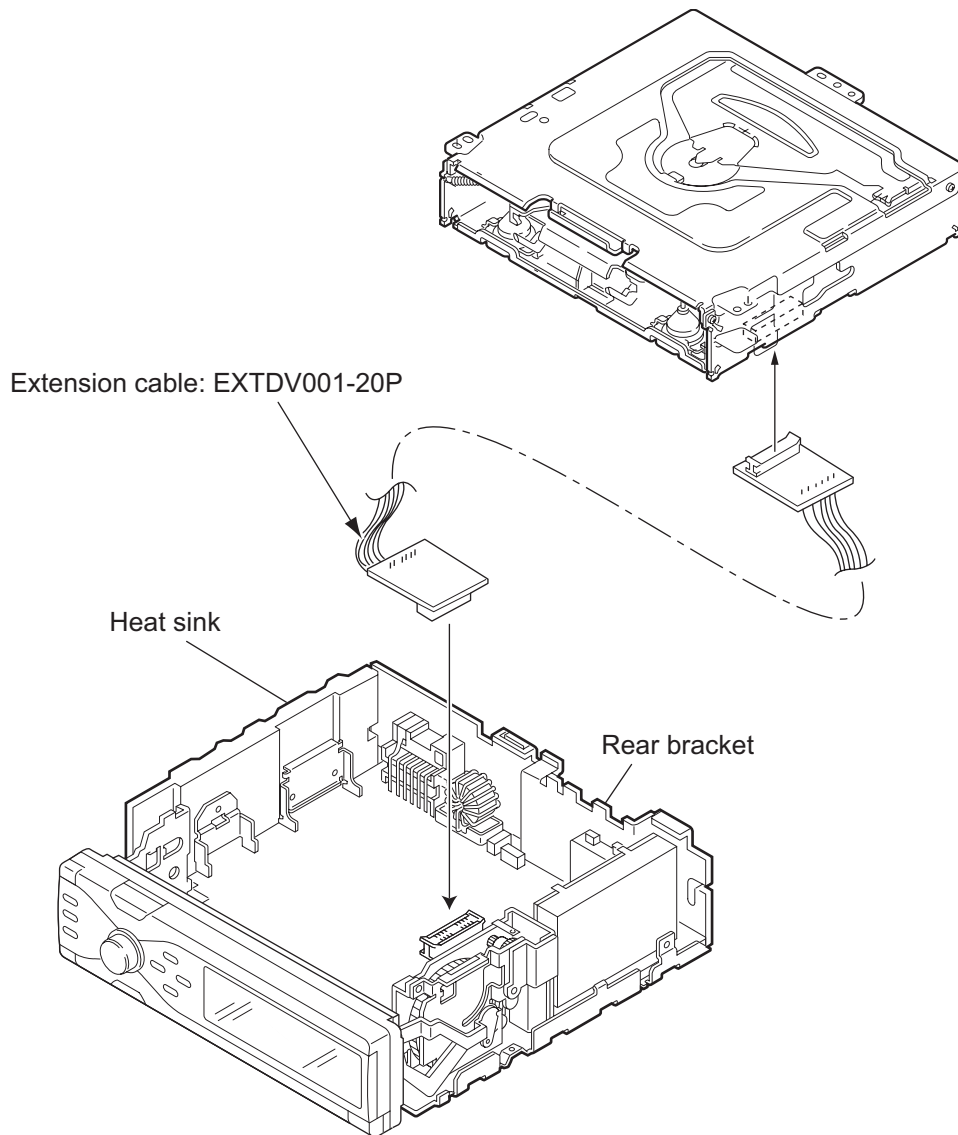
Be sure to attach the heat sink and rear bracket onto the power amplifier IC and regulator IC respectively, before supply the power. If voltage is applied without attaching these parts, the power amplifier IC and regulator IC will be destroyed by heat.

#### ■ Standard measuring conditions

Power supply voltage	DC14.4V(11 to 16V)
Load impedance	20K $\Omega$ (2 Speakers connection)
Output Level	Line out 5.0V (Vol. MAX)

#### ■ Dummy load

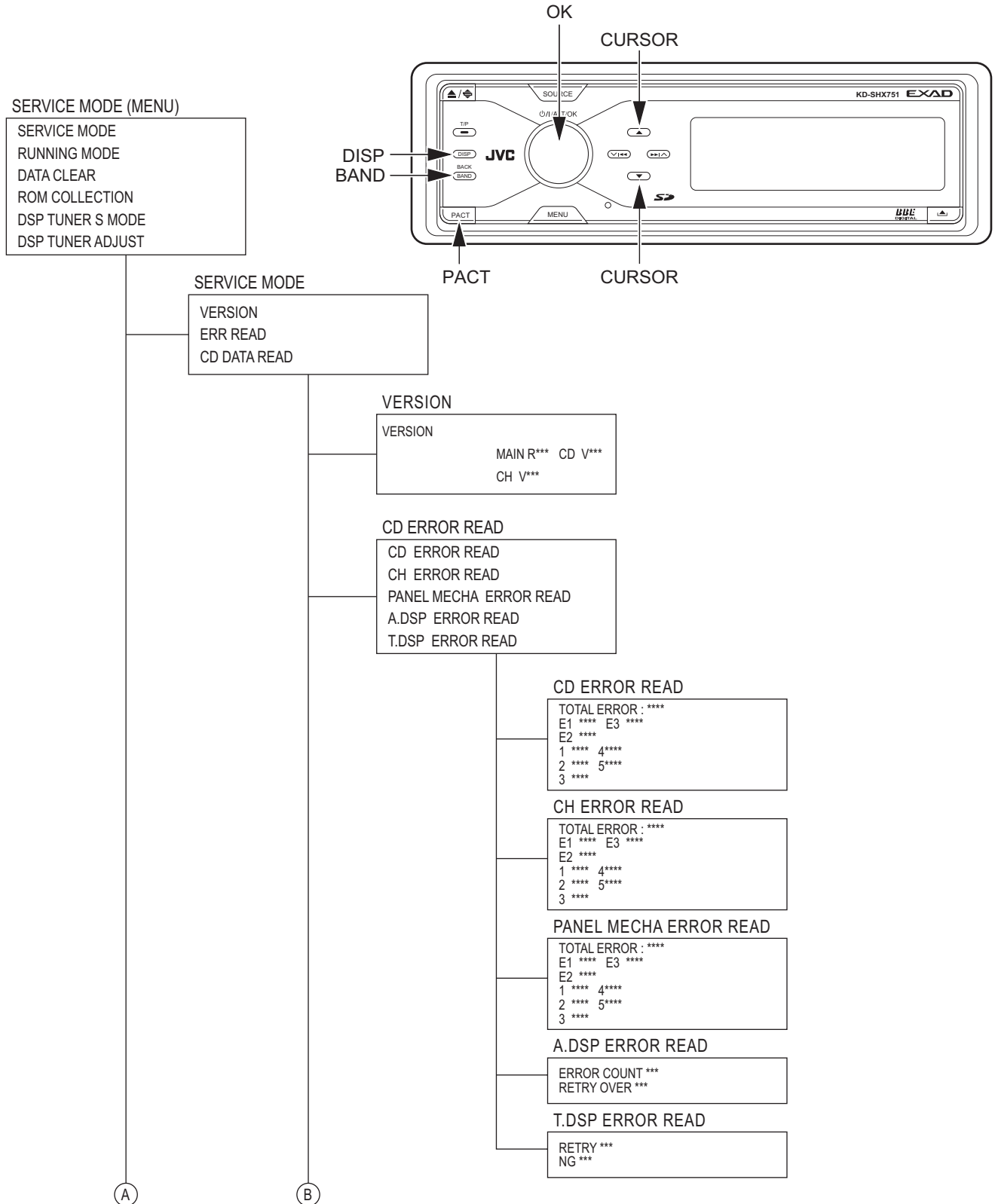
Exclusive dummy load should be used for AM, and FM. For FM dummy load, there is a loss of 6dB between SSG output and antenna input. The loss of 6dB need not be considered since direct reading of figures are applied in this working standard.

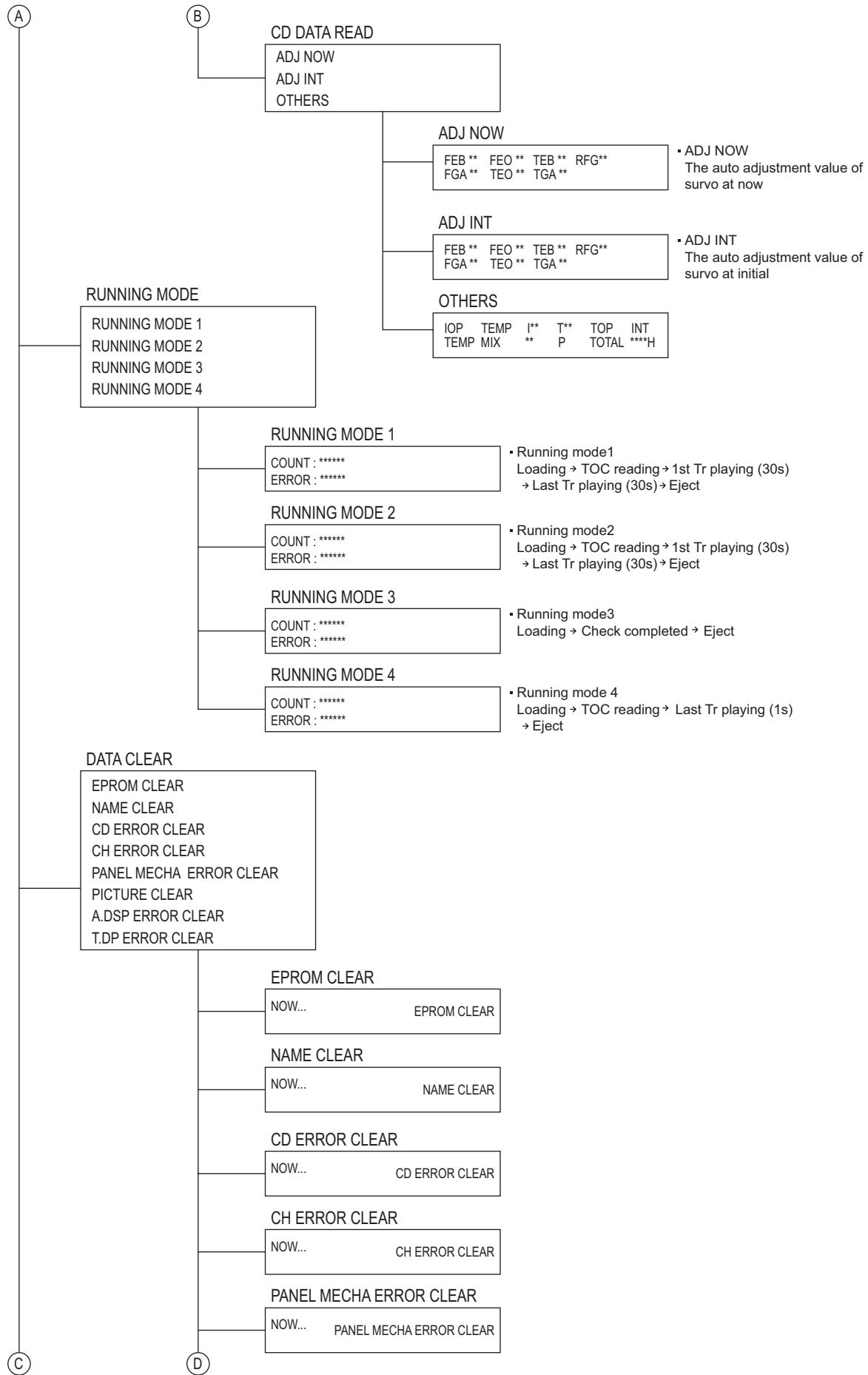


## 4.2 Service mode

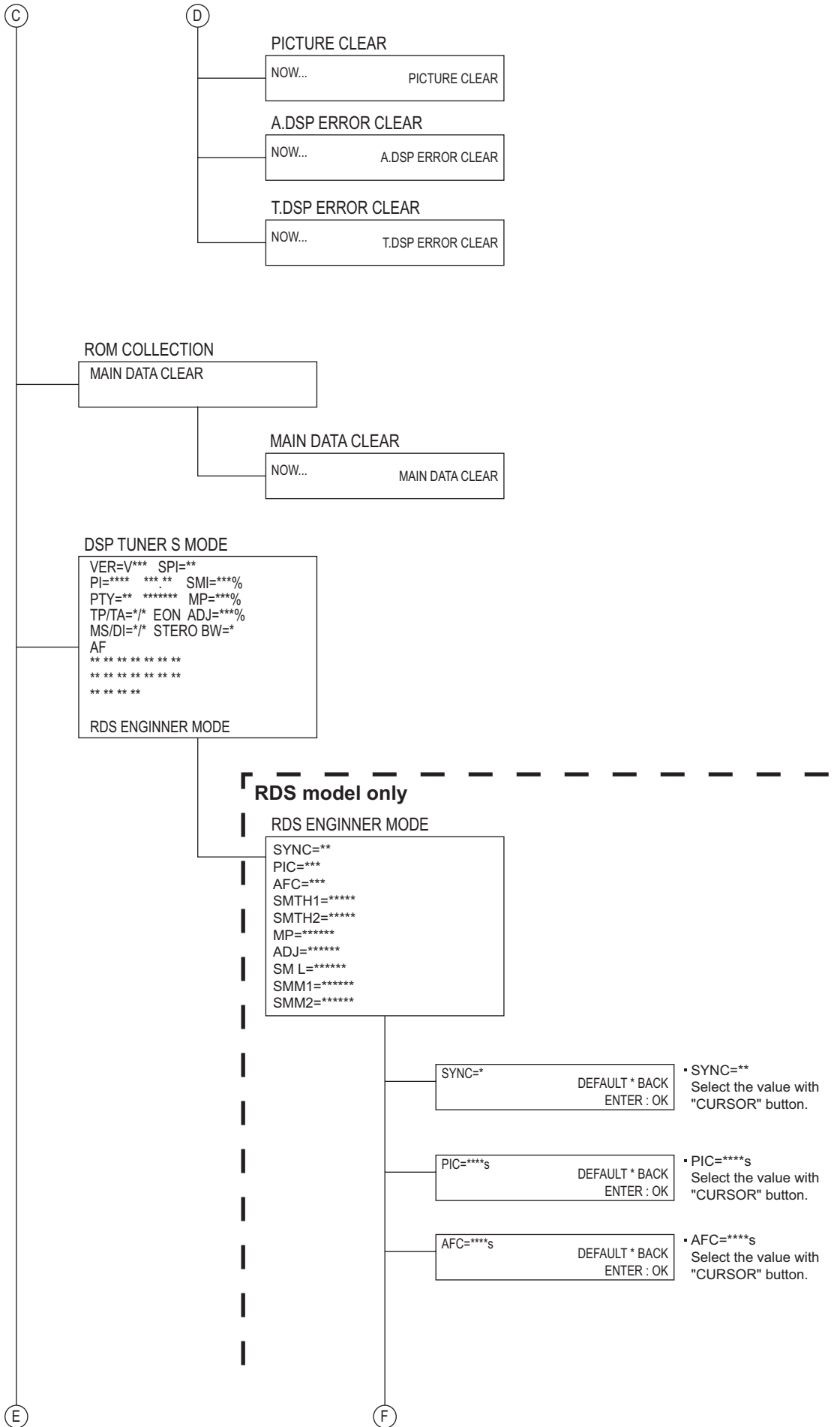
### 4.2.1 Service mode setting

- (1) Turn ON power.
- (2) Pressing both the DISP button and BAND button.
- (3) Set to service mode
  - CURSOR button ▲ : BACK
  - CURSOR button ▼ : NEXT
  - OK button : SET









E

F

SMTH1=\*\*\*\*\*  
 DEFAULT \* BACK  
 ENTER : OK

• SMTH1=\*\*\*\*\*  
 Select the value with  
 "CURSOR" button.

SMTH2=\*\*\*\*\*  
 DEFAULT \* BACK  
 ENTER : OK

• SMTH2=\*\*\*\*\*  
 Select the value with  
 "CURSOR" button.

MP=\*\*\*\*\*  
 DEFAULT \* BACK  
 ENTER : OK

• MP=\*\*\*\*\*  
 Select the value with  
 "CURSOR" button.

ADJ=\*\*\*\*\*  
 DEFAULT \* BACK  
 ENTER : OK

• ADJ=\*\*\*\*\*  
 Select the value with  
 "CURSOR" button.

SM L=\*\*\*\*\*  
 DEFAULT \* BACK  
 ENTER : OK

• SM L=\*\*\*\*\*  
 Select the value with  
 "CURSOR" button.

SMM1=\*\*\*\*\*  
 DEFAULT \* BACK  
 ENTER : OK

• SMM1=\*\*\*\*\*  
 Select the value with  
 "CURSOR" button.

SMM2=\*\*\*\*\*  
 DEFAULT \* BACK  
 ENTER : OK

• SMM2=\*\*\*\*\*  
 Select the value with  
 "CURSOR" button.

RDS model only

DSP TUNER AJUST  
 AUTO ADJUSTMENT  
 MANUAL ADJUSTMENT

1.FM DAA  
 87.5MHz 40dBuV 0%

1.FM DAA  
 87.5MHz 40dBuV 0%  
 No Signal

2.FM DAA  
 97.9MHz 40dBuV 0%

2.FM DAA  
 97.9MHz 40dBuV 0%  
 No Signal

3.FM DAA  
 108.0MHz 40dBuV 0%

3.FM DAA  
 108.0MHz 40dBuV 0%  
 No Signal

4.FM S.MATER  
 97.9MHz 40dBuV 0%

4.FM S.MATER  
 97.9MHz 40dBuV 0%  
 High or Low or No Signal

5.FM S.MATER  
 97.9MHz 70dBuV 0%

5.FM S.MATER  
 97.9MHz 70dBuV 0%  
 High or Low or No Signal

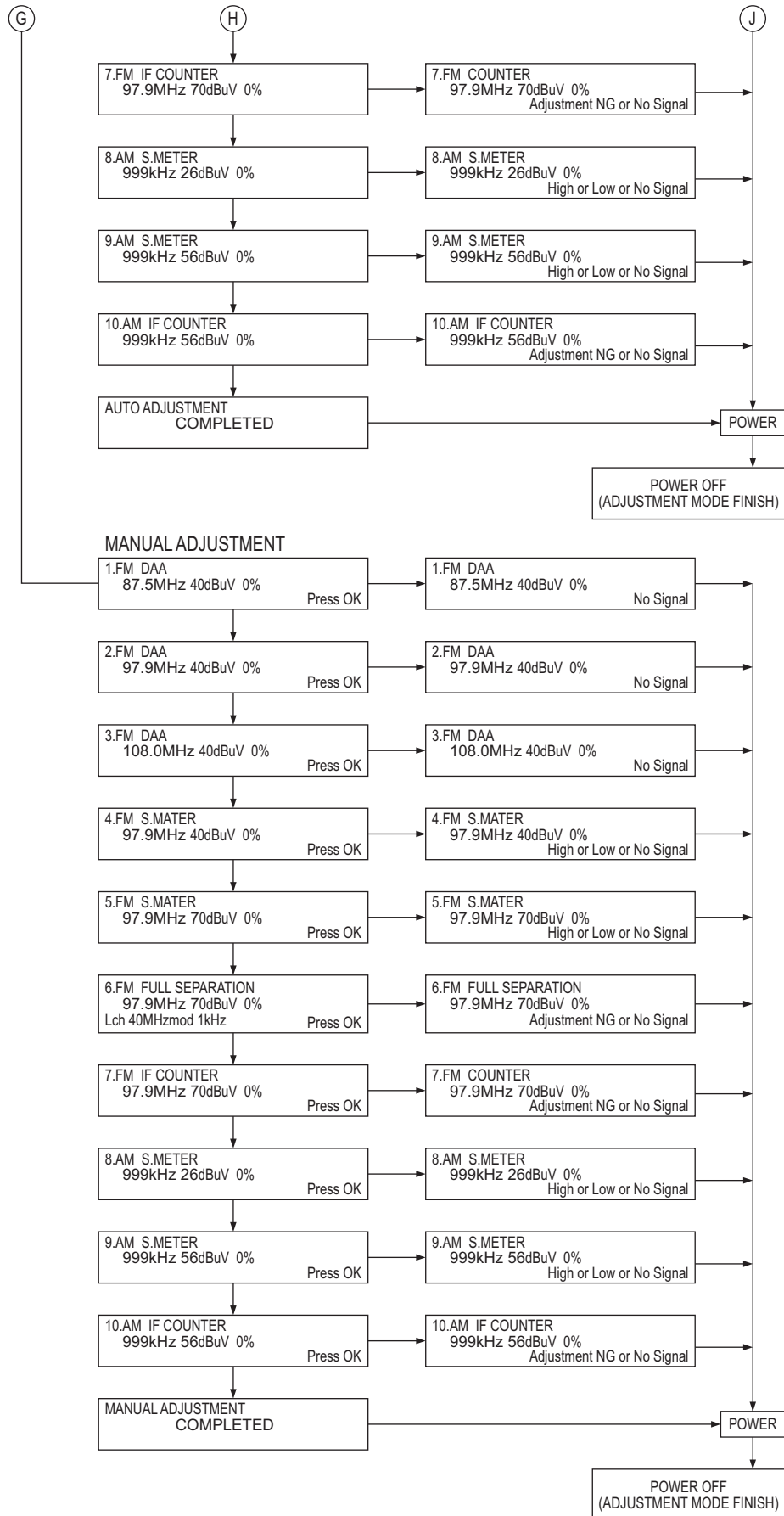
6.FM FULL SEPARATION  
 97.9MHz 70dBuV 0%  
 Lch 40MHz mod 1kHz

6.FM FULL SEPARATION  
 97.9MHz 70dBuV 0%  
 Adjustment NG or No Signal

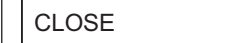
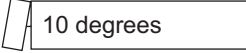



G

H

J



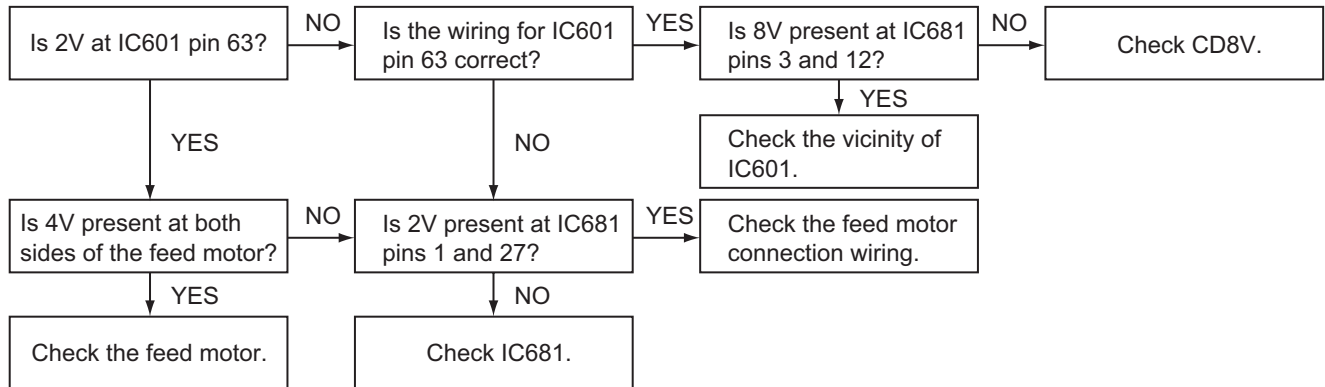
#### 4.2.2 Error codes of panel mechanism

PANEL ANGLE	
1	PANEL  MAIN BODY
2	 10 degrees
3	 20 degrees
4	 30 degrees
OPEN	 OPEN

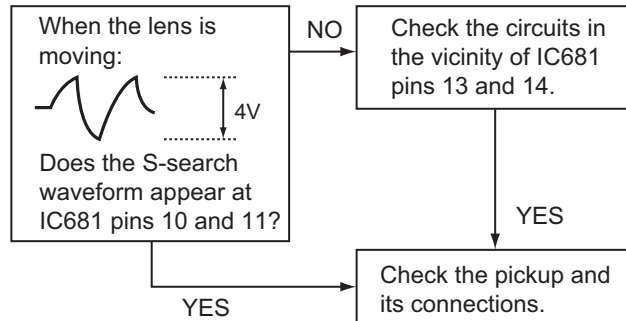
Details	ERROR CODE (SERVICE MODE)	ERROR CODE (NORMAL)
OPEN error 1.Time out error by OPEN position cannot detect.	0A01	ERR 01
CLOSE error (ANGLE 1 error) 1.Time out error by ANGLE 1 position cannot detect.	0B06	06
Angle positioning error Moving to 10 degrees (ANGLE 2 error) 1.Time out error by ANGLE 2 position cannot detect at moving to open position. 2. Missing to ANGLE 1 and detected ANGLE 2 position at moving to open position. 3.Time out error by ANGLE 2 cannot detect at moving to close position.	0D21 0D22 0D23	21 22 23
Moving to 20 degrees (ANGLE 3 error) 1.Time out error by ANGLE 3 position cannot detect at moving to open position. 2. Missing to ANGLE 2 and detected ANGLE 3 position at moving to open position. 3.Time out error by ANGLE 3 cannot detect at moving to close position.	0E31 0E32 0E33	31 32 33
Moving to 30 degrees (ANGLE 4 error) 1.Time out error by ANGLE 4 position cannot detect at moving to open position. 2. Missing to ANGLE 3 and detected ANGLE 4 position at moving to open position. 3.Time out error by ANGLE 4 cannot detect at moving to close position.	0F41 0F42 0F43	41 42 43
Abnormal switch position at moving panel The panel move to open and close potision,detected abnormal switch position.	0A00	00

## SECTION 5 TROUBLESHOOTING

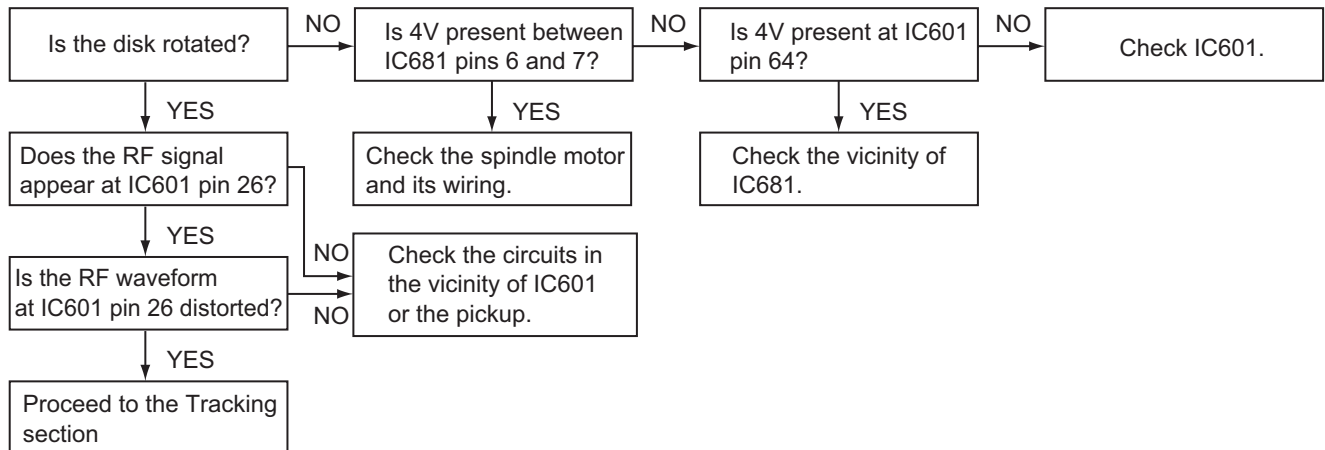
### 5.1 Feed section



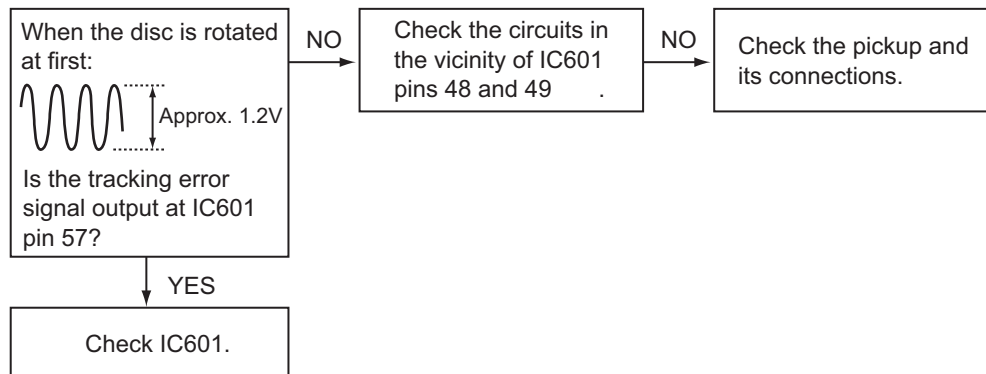
### 5.2 Focus section



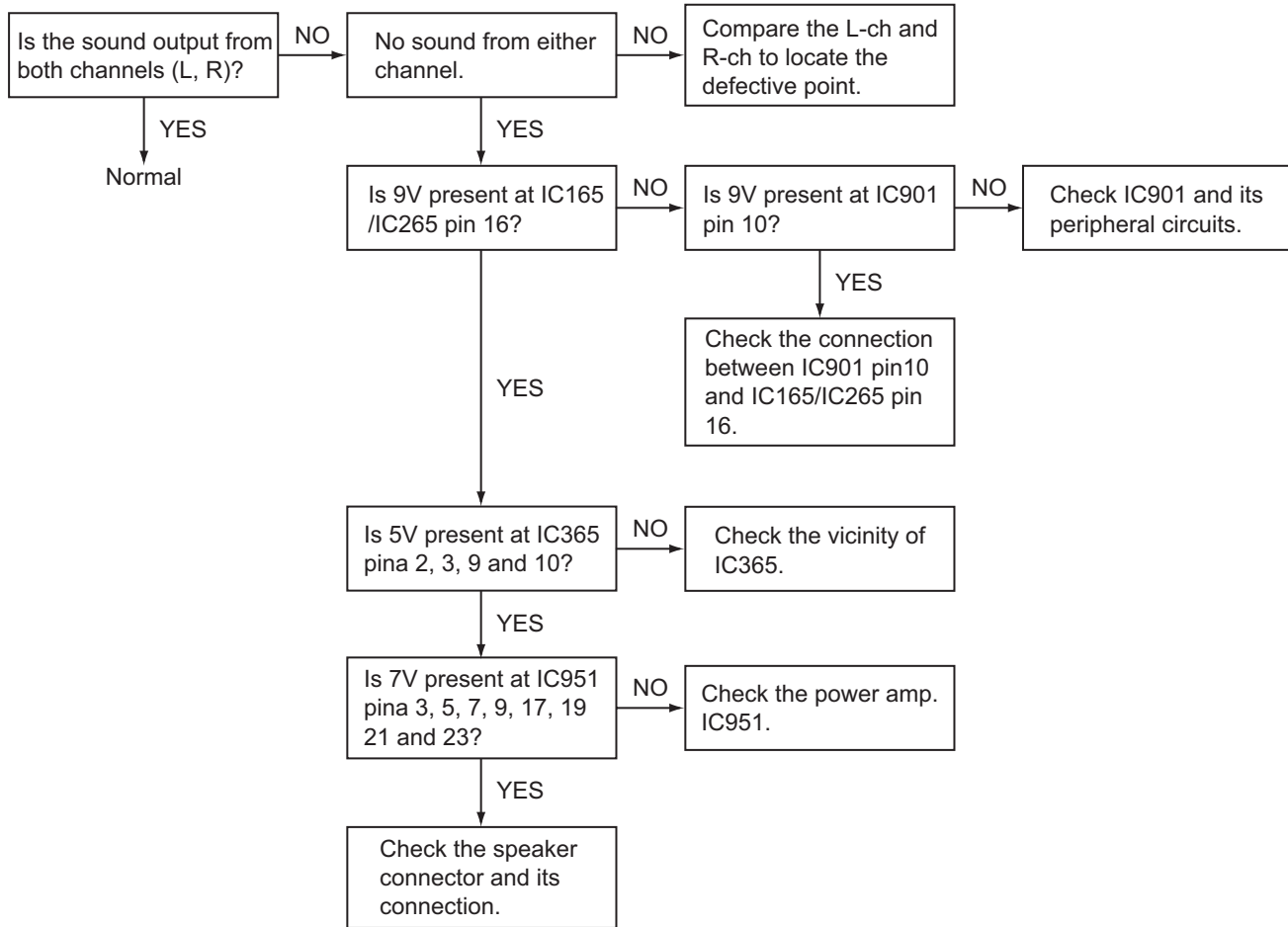
### 5.3 Spindle section



### 5.4 Tracking section

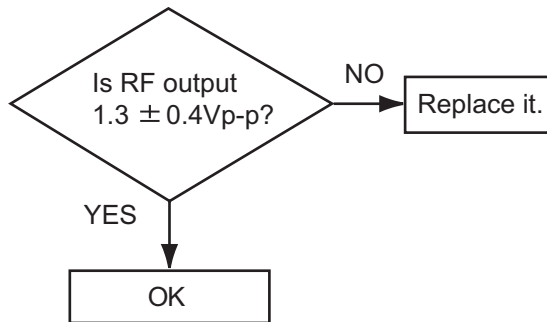


## 5.5 Signal processing section



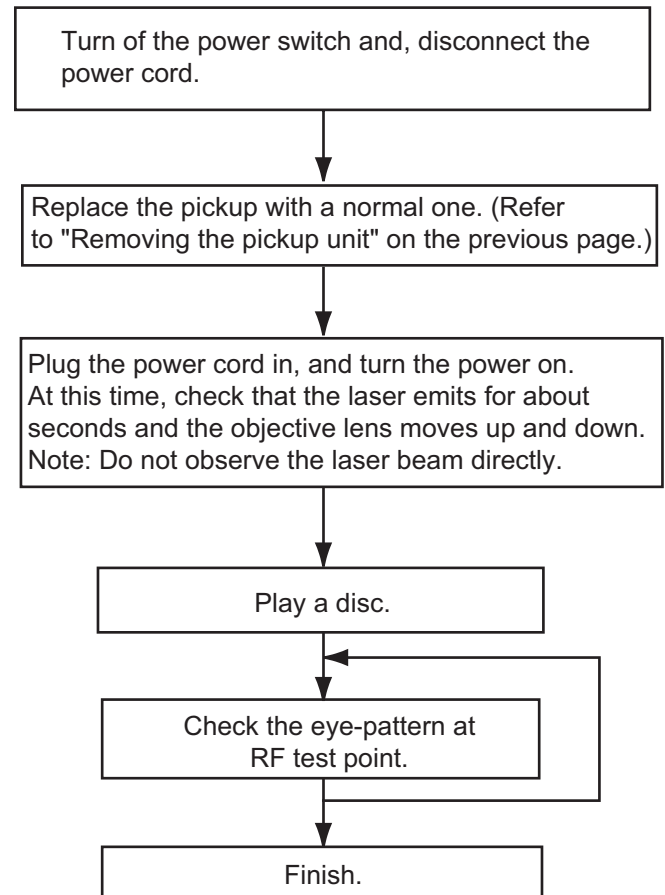
## 5.6 Maintenance of laser pickup

- (1) Cleaning the pick up lens  
Before you replace the pick up, please try to clean the lens with a alcohol soaked cotton swab.
- (2) Life of the laser diode  
When the life of the laser diode has expired, the following symptoms will appear.
  - The level of RF output (EFM output: amplitude of eye pattern) will be low.

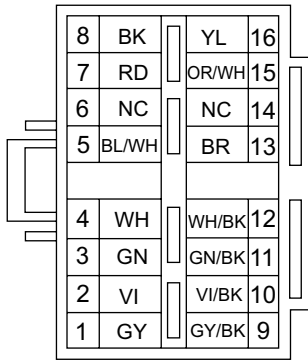


- (3) Semi-fixed resistor on the APC PC board  
The semi-fixed resistor on the APC printed circuit board which is attached to the pickup is used to adjust the laser power. Since this adjustment should be performed to match the characteristics of the whole optical block, do not touch the semi-fixed resistor.  
If the laser power is lower than the specified value, the laser diode is almost worn out, and the laser pickup should be replaced. If the semi-fixed resistor is adjusted while the pickup is functioning normally, the laser pickup may be damaged due to excessive current.

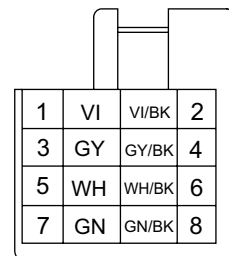
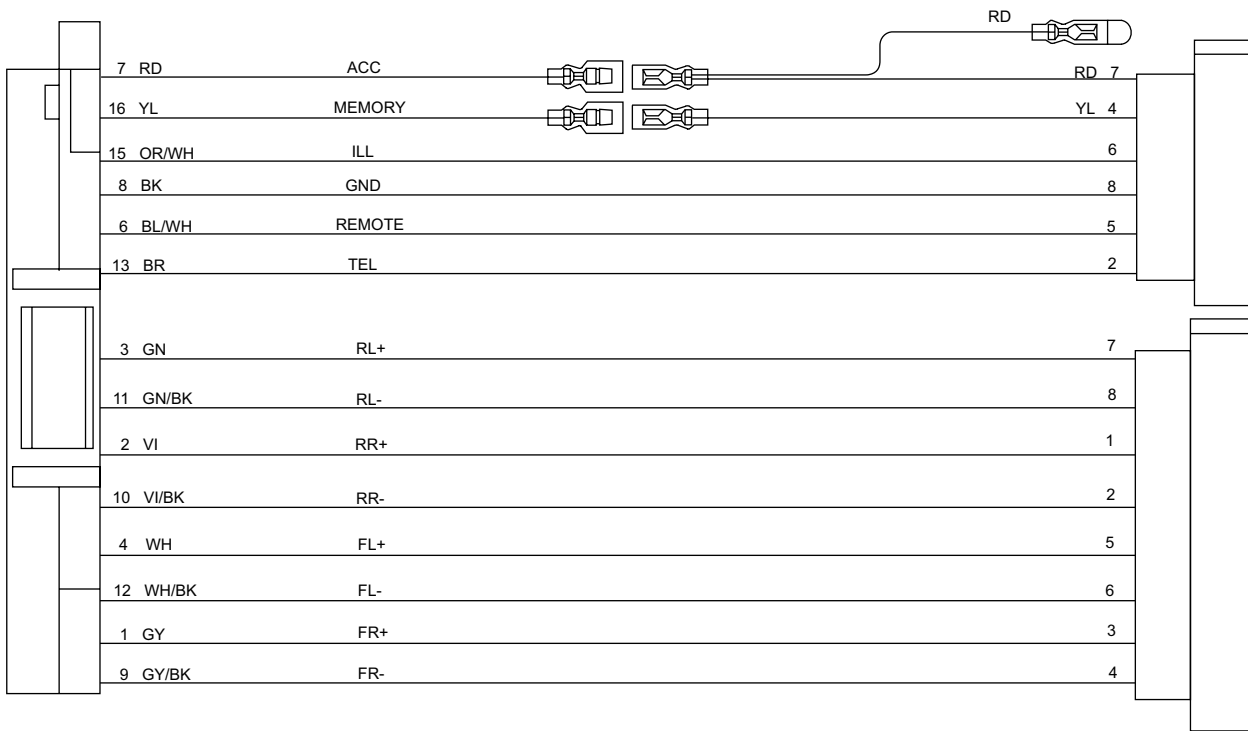
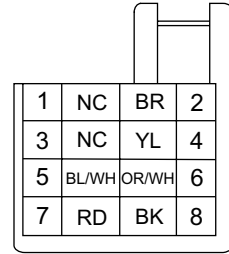
## 5.7 Replacement of laser pickup



### 5.8 16 PIN CORD DIAGRAM



BK	Black	GN	Green
RD	Red	VI	Violet
BL	Blue	GY	Gray
WH	White	YL	Yellow
BR	Brown	OR	Orange



RR	Rear Right	ANT	Auto Antenna
FR	Front Right	ACC	ACC Line
FL	Front Left	TEL	Telephone Muting
RL	Rear Left	GND	Ground
REMOTE	Remote	MEMORY	Memory Backup Battery+
ILL	Illuminations Control		







**JVC**

Victor Company of Japan, Limited  
AV & MULTIMEDIA COMPANY CAR ELECTRONICS CATEGORY 10-1,1chome,Ohwatari-machi,Maebashi-city,371-8543,Japan

(No.MA163)

# PARTS LIST

[ KD-SHX751 ]

\* All printed circuit boards and its assemblies are not available as service parts.

KD-SHX751

Area suffix

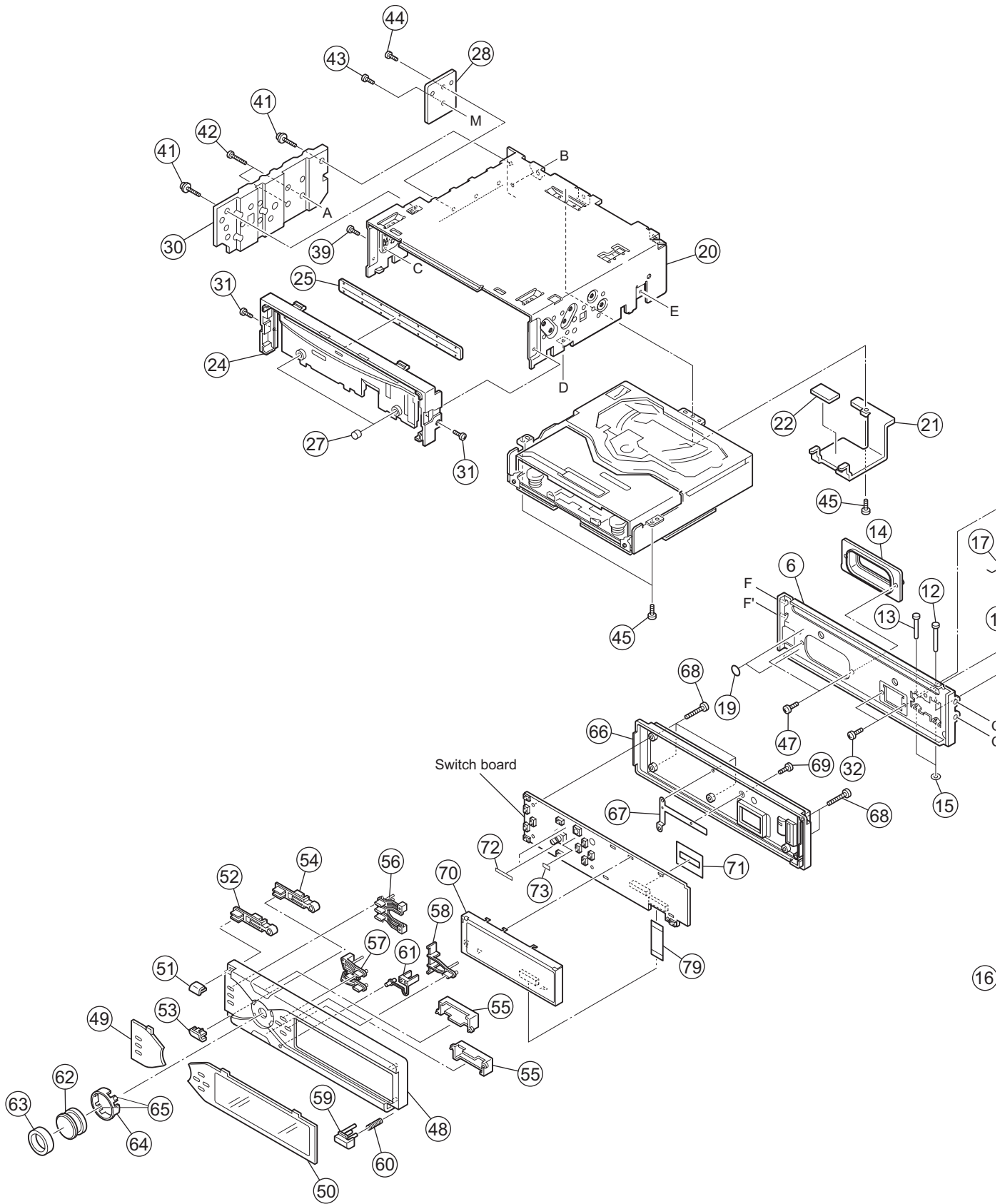
E ----- Southern Europe  
EX ----- Northern Europe  
EY ----- Eastern Europe  
EU ----- Turkey

## - Contents -

Exploded view of general assembly and parts list (Block No.M1) .....	3- 2
CD mechanism assembly and parts list (Block No.MB) .....	3- 6
Electrical parts list (Block No.01~03) .....	3- 9
Packing materials and accessories parts list (Block No.M3) .....	3-18

# Exploded view of general assembly and parts list

Block No. M 1 M M





# General Assembly

Block No. [M][1][M][M]

△	Symbol No.	Part No.	Part Name	Description	Local
	1	GE20156-001A	GEAR BKT UNIT		
	2	LV40847-002A	SPACER		
	3	FSYH4036-100	SHEET		
	4	GE30968-002A	LEVER BKT UNIT		
	5	GE30964-003A	LOWER LEVER ASS		
	6	LV35330-002A	FRONT BKT ASSY		
	7	QNZ0664-003	CAR CONNECTOR		
	8	QAL0587-001	FPC		
	9	FSYH4036-100	SHEET		
	10	LV35484-001A	DETACH LEVER		
	11	GE30973-001A	KICK LEVER		
	12	GE40192-002A	SHAFT		
	13	GE40193-002A	SHAFT		
	14	LV35381-001A	SD GUIDE		
	15	WDL123525	SLIT WASHER	(x2)	
	16	WDL215025	WASHER	(x2)	
	17	GE40194-001A	T SPRING		
	18	GE40195-002A	T SPRING		
	19	GE40218-009A	SHEET	(x2)	
	20	GE10111-001A	TOP CHASSIS		
	21	GE40259-001A	MECHA HEAT SINK		
	22	LV43854-003A	COOLING RUBBER		
	23	GE10074-001A	BOTTOM CHASSIS		
	24	GE31642-001A	F CHASSIS ASSY		
	25	GE40156-001A	BLIND		
	26	GE30974-001A	FPC GUIDE		
	27	GE40196-002A	ABSORBER	(x2)	
	28	GE40260-001A	IC HEAT SINK		
	29	GE31204-002A	INSULATOR		
	30	GE31627-001A	HEAT SINK		
	31	QYSPSP2003MA	SCREW	M2 x 3mm(x2)	
	32	QYSPSGU2040MA	TAP SCREW	M2 x 4mm(x2)	
	33	LV42181-002A	SPECIAL SCREW	(x2)	
	34	LV40865-002A	MINI SCREW	(x2)	
	35	LV40865-002A	MINI SCREW	(x3)	
	36	LV40865-002A	MINI SCREW		
	37	LV41200-004A	SPECIAL SCREW	(x2)	
	38	GE40235-001A	SCREW	(x2)	
	39	QYSDST2604ZA	TAP SCREW	M2.6 x 4mm(x2)	
	40	LV41200-004A	SPECIAL SCREW	(x2)	
	41	GE40235-001A	SCREW	(x2)	
	42	LV41200-007A	SPECIAL SCREW	(x2)	
	43	QYSDST2606ZA	TAP SCREW	M2.6 x 6mm	
	44	QYSDST2606ZA	TAP SCREW	M2.6 x 6mm	
	45	QYSDST2605ZA	TAP SCREW	M2.6 x 5mm(x3)	
	46	QYSDST2604ZA	TAP SCREW	M2.6 x 4mm(x2)	
	47	VKZ4777-009	MINI SCREW	(x2)	
	48	LV35694-007A	FRONT PANEL ASSY		
	49	LV35636-002A	FINDER(L)		
	50	LV35637-002A	FINDER(R)		
	51	LV35517-007A	BUTTON EJECT		
	52	LV35522-001A	EJECT BASE		
	53	LV35518-004A	POWER BUTTON		
	54	LV35523-001A	POWER BASE		
	55	LV35508-001A	SOURCE WALL	(x2)	
	56	LV35640-002A	3 BUTTON		
	57	LV35641-001A	4 BUTTON(A)		
	58	LV35642-001A	4 BUTTON(B)		
	59	LV35516-004A	DETACH BUTTON		
	60	LV44055-001A	COMPRESSION SPRING		
	61	LV35541-002A	RESET BUTTON		
	62	LV35547-001A	VOL.KNOB ASSY		
	63	LV35545-001A	VOL. RUBBER		
	64	LV35515-003A	KNOB RING		
	65	LV40848-056A	SPACER(P)	(x2)	
	66	LV11024-001A	REAR COVER		
	67	LV35643-001A	EARTH PLATE		
	68	VKZ4777-006	MINI SCREW	(x6)	
	69	QYSPSPU1730MA	SCREW	M1.7 x 3mm	
	70	QLE0031-001	OEL MODULE		
	71	LV43889-001A	SW PWB SHEET		
	72	LV40847-020A	SPACER(H)	(x2)	
	73	LV40848-055A	SPACER(P)		
	74	LV36078-001A	NAME PLATE		

△	Symbol No.	Part No.	Part Name	Description	Local
	75	LV41843-002A	LASER CAUTION		
	76	GE40218-011A	SHEET	(x2)	
	77	VYTA500-001	PIN CAP	(x4)	
	78	QJJ010-040904-E	SIN CR C-C WIR		
	79	QUQ105-3003AB-E	FFC WIRE	30pin 3cm	
	80	LV43349-002A	POWE IC BKT		
	81	LV43373-002A	REG IC BKT		
△	82	QMFZ047-150-T	FUSE	15A	
	83	QAM0548-001	PIN CORD ASSY		
	84	QAM0547-001	CAR CABLE		
	85	QAM0686-001	CAR CABLE		
	86	GE31205-013A	REAR BRACKET		
	87	GE40214-001A	WIRE HOLDER		
	88	QYSDST2606ZA	TAP SCREW	M2.6 x 6mm	
	89	QYSDSF2606ZA	TAP SCREW	M2.6 x 6mm(x2)	
	90	QYSDST2606ZA	TAP SCREW	M2.6 x 6mm	
	91	QYSDST2606ZA	TAP SCREW	M2.6 x 6mm	
	92	QYSDST2606ZA	TAP SCREW	M2.6 x 6mm	
	93	QYSDSF2606ZA	TAP SCREW	M2.6 x 6mm	

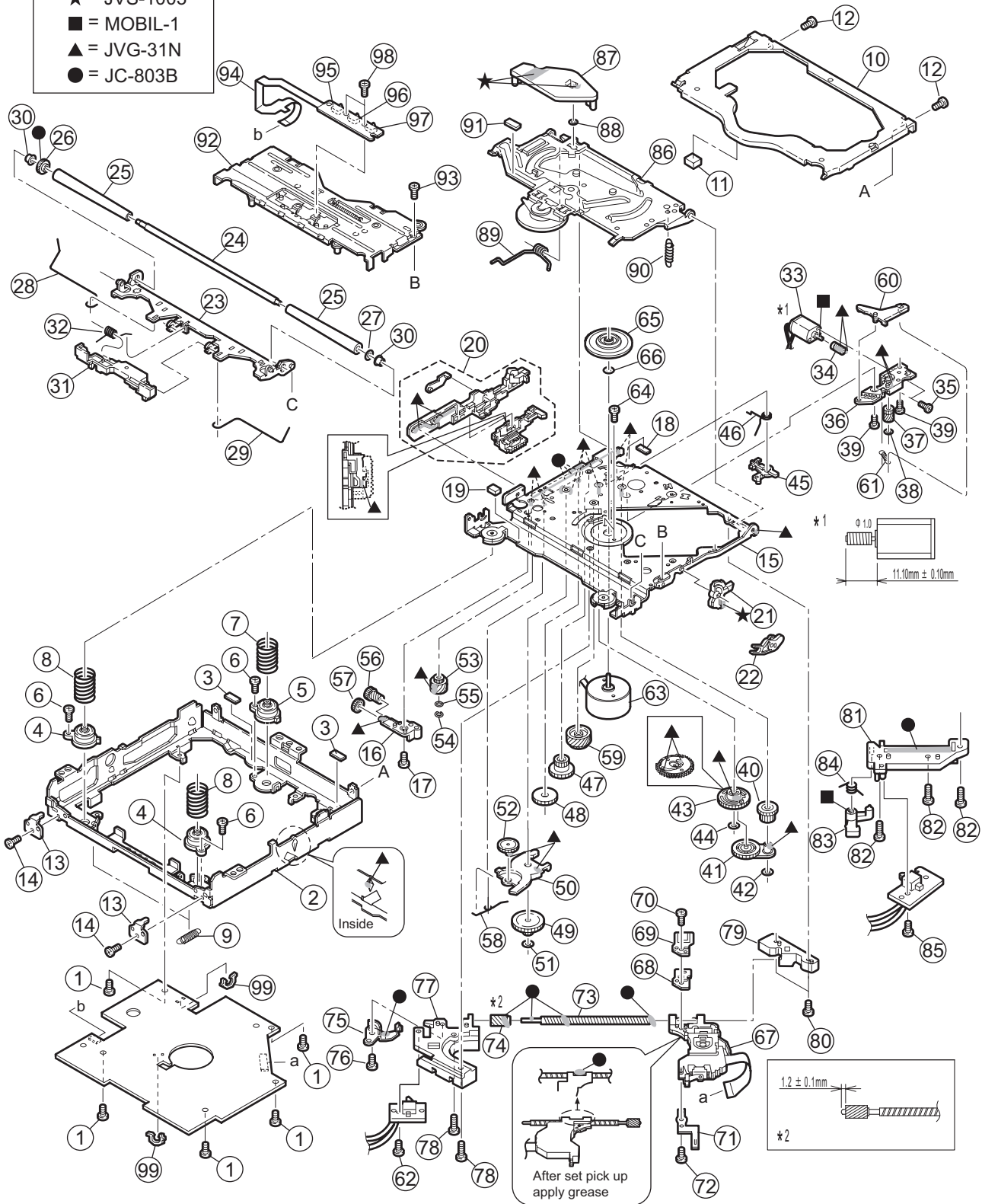
# CD mechanism assembly and parts list

Block No. M B M M

FMU-JC3-2D

**Grease**

- ★ = JVS-1003
- = MOBIL-1
- ▲ = JVG-31N
- = JC-803B



The parts without symbol number are not service.



# CD mechanism

Block No. [M][B][M][M]

△	Symbol No.	Part No.	Part Name	Description	Local
	1	VKZ4539-056	MINI SCREW	(x5)	
	2	LV10857-002A	CHASSIS FRAME 2		
	3	LV30225-0J6A	SPACER	(x2)	
	4	LV35272-001A	DAMPER(F)	(x2)	
	5	LV35273-001A	DAMPER(R)		
	6	QYSPSTU2045MA	TAP SCREW	M2 x 4.5mm(x3)	
	7	LV43039-001A	DAMPER SP.(R)		
	8	LV43849-001A	DAMPER SP(F2)	(x2)	
	9	LV43041-001A	FLOATING SPRING	(x2)	
	10	LV10675-001A	TOP COVER		
	11	LV30225-0J5A	SPACER		
	12	VKZ4539-056	MINI SCREW	(x2)	
	13	LV33669-001A	STOPPER	(x2)	
	14	VKZ4539-056	MINI SCREW	(x2)	
	15	LV21615-001A	CD CHASSIS ASSY		
	16	LV33608-001A	GEAR HOLDER		
	17	VKZ4539-056	MINI SCREW		
	18	LV43561-002A	ABSORBER		
	19	LV30225-0J5A	SPACER		
	20	LV33683-003A	SLIDE CAM ASSY		
	21	LV33610-001A	FLOATING ARM		
	22	LV33611-001A	CONNECT ARM		
	23	LV33678-003A	LOADING A. ASSY		
	24	LV43049-001A	LOADING SHAFT		
	25	LV43052-003A	ROLLER	(x2)	
	26	LV33612-001A	LOADING GEAR		
	27	QYWFM124013	WASHER	4mm/1.2mm x 0.13mm	
	28	LV43053-002A	ROD(L)		
	29	LV43725-001A	ROD(R)		
	30	LV43001-001A	COLLAR	(x2)	
	31	LV21285-002A	PROTECTOR		
	32	LV43055-001A	PROTECTOR SP.		
	33	QAR0144-003	MOTOR		
	34	LV43002-002A	WORM GEAR		
	35	QYSPSPT2025MA	SCREW	M2 x 2.5mm(x2)	
	36	LV33679-001A	MOTOR H. ASSY		
	37	LV33614-002A	WORM WHEEL		
	38	QYWDL1230250	SLIT WASHER	3mm/1.2mm x 0.25mm	
	39	VKZ4539-056	MINI SCREW	(x2)	
	40	LV33615-001A	GEAR 2		
	41	LV43057-003A	IDLER ARM ASSY		
	42	QYWDL1635252	SLIT WASHER	3.5mm/1.6mm x 0.25mm	
	43	LV21286-001A	CONTROL CAM		
	44	QYWDL1230196	SLIT WASHER	3mm/1.2mm x 0.19mm	
	45	LV33616-001A	LOAD.LOCK LEVER		
	46	LV43060-001A	CAM SPRING		
	47	LV43005-001A	GEAR 4		
	48	LV43006-001A	GEAR 5		
	49	LV33617-001A	GEAR 6		
	50	LV33618-002A	LOADING G. ARM		
	51	QYWDL1635252	SLIT WASHER	3.5mm/1.6mm x 0.25mm	
	52	LV43007-001A	GEAR 7		
	53	LV33619-002A	GEAR 8		
	54	LV42132-001A	E RING		
	55	QYWFM215013	WASHER	5mm/2.1mm x 0.13mm	
	56	LV33620-001A	GEAR 9		
	57	LV43008-001A	GEAR10		
	58	LV43061-001A	LOAD SPRING		
	59	LV33621-001A	FEED GEAR		
	60	LV33622-001A	TRIGGER ARM		
	61	LV43062-001A	FEED TRI.SPRING		
	62	QYSPSFT2040ZA	TAP SCREW	M2 x 4mm	
	63	QAR0305-001	SPINDLE MOTOR		
	64	QYSPSPT1720MA	SCREW	M1.7 x 2mm(x2)	
	65	LV43669-002A	T.TABLE ASSY		
	66	QYWFM214025	WASHER	4mm/2.1mm x 0.25mm	
	67	QAL0563-001	PICK UP		
	68	LV34583-002A	CD RACK PLATE		
	69	LV34579-001A	CD RACK SPRING		
	70	LV43903-002A	MINI TAP SCREW		
	71	LV34580-001A	P.S.SPRING		
	72	QYSPSGT1425MA	TAP SCREW	M1.4 x 2.5mm	
	73	LV43670-001A	LEAD SCREW		
	74	LV43010-001A	L.S.GEAR		

Symbol No.	Part No.	Part Name	Description	Local
75	LV43011-001A	THRUST SPRING		
76	QYSPSFT2040ZA	TAP SCREW	M2 x 4mm	
77	LV21604-004A	L.S.HOLDER 1		
78	VKZ4539-056	MINI SCREW	(x2)	
79	LV34582-002A	L.S.HOLDER 2		
80	VKZ4539-056	MINI SCREW	(x2)	
81	LV34581-002A	SUB GUIDE		
82	VKZ4539-056	MINI SCREW	(x3)	
83	LV34915-001A	SW LEVER		
84	LV43898-001A	S.L.SPRING		
85	QYSPSFT2040ZA	TAP SCREW	M2 x 4mm	
86	LV34602-002A	CLAMPER UNIT 2		
87	LV34585-001A	KICK ARM 2		
88	LV43507-001A	SPL WASHER		
89	LV43070-001A	CLAMPER SPRING		
90	LV43355-001A	CLAMPER2 SPRING		
91	LV30225-0J6A	SPACER		
92	LV21616-003A	FRONT UNIT 2		
93	VKZ4539-056	MINI SCREW		
94	LVB30016-002A	SW FPC2		
95	NSW0187-001	SWITCH		
96	NSW0187-001	SWITCH		
97	NSW0187-001	SWITCH		
98	VKZ4539-055	MINI SCREW	(x2)	
99	LV34916-001A	WIRE CLAMP	(x2)	

# Electrical parts list

## Main board

Block No. [0][1]					Symbol No.	Part No.	Part Name	Description	Local
△	Symbol No.	Part No.	Part Name	Description	Local				
	IC10	SAF7730HV/N224A	IC			D713	MA8056/M/-X	Z DIODE	
	IC11	BA00BCOWFP-X	IC(DIGITAL)			D714	MA8056/M/-X	Z DIODE	
	IC165	BD3805F-X	IC			D715	MA8056/M/-X	Z DIODE	
	IC171	NJM2160BV-X	IC			D716	MA8056/M/-X	Z DIODE	
	IC265	BD3805F-X	IC			D717	MA8056/M/-X	Z DIODE	
	IC271	NJM2160BV-X	IC			D718	SML-310LT/MN/-X	LED	
	IC360	NJM4580V-X	IC			D719	SML-310LT/MN/-X	LED	
	IC362	NJM4565V-X	IC			D722	MA8056/M/-X	Z DIODE	
	IC365	CD4066BPW-X	IC			D901	1N5401-F64	DIODE	
	IC381	NJM4565V-X	IC			D904	CRS03-W	SB DIODE	
	IC382	NJM2160BV-X	IC			D905	CRS03-W	SB DIODE	
	IC401	AK7740VT	IC			D921	1SR154-400-X	DIODE	
	IC411	JCV8009-W	IC			D940	UDZS3.3B-X	Z DIODE	
	IC412	AK4385ET-X	IC			D941	UDZS11B-X	Z DIODE	
△	IC701	MN101E01MEA	IC			D942	MA152WA-X	DIODE	
	IC702	PST9121N-X	IC			D943	MA152WA-X	DIODE	
	IC703	BR24L32F-W-X	IC			D944	MA111-X	SI DIODE	
	IC710	SN74AHCT126PW-X	IC(DIGITAL)			D952	UDZS11B-X	Z DIODE	
	IC901	HA13164A	IC			D971	CRS03-W	SB DIODE	
	IC921	NAL0026-001X	D/D CONVERTER			D972	CRS03-W	SB DIODE	
	IC951	TB2901HQ	IC			D976	CRS03-W	SB DIODE	
	IC971	BD9781HFP-W	IC			D979	1SR154-400-X	DIODE	
	IC973	BA33BC0FP-X	IC			D991	UDZS3.9B-X	Z DIODE	
	IC976	BA3259HFP-W	IC			D1451	MA152WA-X	DIODE	
	IC991	BA6956AN	IC			D2451	MA152WA-X	DIODE	
						D3801	MA111-X	SI DIODE	
						D7501	SIR-34ST3F	SI DIODE	
						D9051	MA152WA-X	DIODE	
	Q1	2SB815/7/-X	TRANSISTOR			C1	NCB31HK-222X	C CAPACITOR	2200pF 50V K
	Q2	UN2211-X	TRANSISTOR			C2	QEKJ1CM-476Z	E CAPACITOR	47uF 16V M
	Q30	UN2211-X	TRANSISTOR			C3	NDC31HJ-391X	C CAPACITOR	390pF 50V J
	Q701	UN2211-X	TRANSISTOR			C4	QEKJ1CM-476Z	E CAPACITOR	47uF 16V M
	Q703	UN2213-X	DIGI TRANSISTOR			C5	NDC31HJ-391X	C CAPACITOR	390pF 50V J
	Q791	UN2211-X	TRANSISTOR			C7	NDC31HJ-391X	C CAPACITOR	390pF 50V J
	Q901	2SB815/7/-X	TRANSISTOR			C13	NDC31HJ-391X	C CAPACITOR	390pF 50V J
	Q902	UN2211-X	TRANSISTOR			C21	NCB31HK-102X	C CAPACITOR	1000pF 50V K
	Q903	2SB709A/QR/-X	TRANSISTOR			C22	NCB31HK-102X	C CAPACITOR	1000pF 50V K
	Q907	UN2111-X	TRANSISTOR			C28	QEKJ1CM-106Z	E CAPACITOR	10uF 16V M
	Q908	UN2211-X	TRANSISTOR			C29	QEKJ1CM-106Z	E CAPACITOR	10uF 16V M
	Q921	2SD601A/QR/-X	TRANSISTOR			C31	NDC31HJ-221X	C CAPACITOR	220pF 50V J
	Q922	UN2211-X	TRANSISTOR			C32	NDC31HJ-180X	C CAPACITOR	18pF 50V J
	Q941	UN2111-X	TRANSISTOR			C33	NDC31HJ-100X	C CAPACITOR	10pF 50V J
	Q942	UN2113-X	DIGI TRANSISTOR			C34	NBE20JM-475X	TA E CAPACITOR	4.7uF 6.3V M
	Q943	UN2113-X	DIGI TRANSISTOR			C35	NCB31CK-104X	C CAPACITOR	0.1uF 16V K
	Q951	2SD601A/QR/-X	TRANSISTOR			C36	NDC31HJ-181X	C CAPACITOR	180pF 50V J
	Q952	UN2211-X	TRANSISTOR			C37	NCB31HK-103X	C CAPACITOR	0.01uF 50V K
	Q953	UN2213-X	DIGI TRANSISTOR			C40	NDC31HJ-101X	C CAPACITOR	100pF 50V J
	Q954	UN2113-X	DIGI TRANSISTOR			C41	NCB31CK-104X	C CAPACITOR	0.1uF 16V K
	Q981	2SB815/7/-X	TRANSISTOR			C42	NCB31CK-104X	C CAPACITOR	0.1uF 16V K
	Q982	UN2213-X	DIGI TRANSISTOR			C43	NCB31CK-104X	C CAPACITOR	0.1uF 16V K
	Q991	UN2211-X	TRANSISTOR			C44	NBE20JM-475X	TA E CAPACITOR	4.7uF 6.3V M
	Q1451	2SD2114K/VW/-X	TRANSISTOR			C45	NBE20JM-475X	TA E CAPACITOR	4.7uF 6.3V M
	Q1452	2SD2114K/VW/-X	TRANSISTOR			C46	NCB31CK-104X	C CAPACITOR	0.1uF 16V K
	Q2451	2SD2114K/VW/-X	TRANSISTOR			C47	NBE20JM-475X	TA E CAPACITOR	4.7uF 6.3V M
	Q2452	2SD2114K/VW/-X	TRANSISTOR			C48	QEKJ0JM-107Z	E CAPACITOR	100uF 6.3V M
	Q3655	UN2211-X	TRANSISTOR			C50	NBE20JM-226X	TA E CAPACITOR	22uF 6.3V M
	Q3656	UN2211-X	TRANSISTOR			C51	NCB31CK-473X	C CAPACITOR	0.047uF 16V K
	Q3801	2SD2114K/VW/-X	TRANSISTOR			C53	NCB21CK-105X	C CAPACITOR	1uF 16V K
	Q7201	UN2211-X	TRANSISTOR			C54	NBE40JM-476X	TA E CAPACITOR	47uF 6.3V M
	Q7202	UN2211-X	TRANSISTOR			C55	NCB31CK-104X	C CAPACITOR	0.1uF 16V K
	Q9001	2SD601A/QR/-X	TRANSISTOR			C56	NDC31HJ-101X	C CAPACITOR	100pF 50V J
	Q9051	UN2211-X	TRANSISTOR			C57	NDC31HJ-101X	C CAPACITOR	100pF 50V J
	D1	MA111-X	SI DIODE			C59	NCB31CK-333X	C CAPACITOR	0.033uF 16V K
	D2	MA111-X	SI DIODE			C60	NCB31CK-104X	C CAPACITOR	0.1uF 16V K
	D11	1SR154-400-X	DIODE			C61	QEKJ0JM-107Z	E CAPACITOR	100uF 6.3V M
	D12	1SR154-400-X	DIODE			C62	QEKJ0JM-227Z	E CAPACITOR	220uF 6.3V M
	D701	MA111-X	SI DIODE			C63	NCB31EK-223X	C CAPACITOR	0.022uF 25V K
	D702	MA111-X	SI DIODE			C64	NCB21CK-105X	C CAPACITOR	1uF 16V K
	D705	MA8056/M/-X	Z DIODE			C65	NCB31HK-471X	C CAPACITOR	470pF 50V K
	D709	MA8056/M/-X	Z DIODE			C66	NDC31HJ-101X	C CAPACITOR	100pF 50V J
	D710	MA8056/M/-X	Z DIODE			C67	NDC31HJ-101X	C CAPACITOR	100pF 50V J
	D711	MA8056/M/-X	Z DIODE			C68	NDC31HJ-101X	C CAPACITOR	100pF 50V J
	D712	MA8056/M/-X	Z DIODE			C70	NDC31HJ-101X	C CAPACITOR	100pF 50V J
						C71	NDC31HJ-101X	C CAPACITOR	100pF 50V J
						C72	NCB31CK-103X	C CAPACITOR	0.01uF 16V K

△ Symbol No.	Part No.	Part Name	Description	Local	△ Symbol No.	Part No.	Part Name	Description	Local
C76	NCB31EK-223X	C CAPACITOR	0.022uF 25V K		C978	QEKJ0JM-107Z	E CAPACITOR	100uF 6.3V M	
C77	NCB31HK-103X	C CAPACITOR	0.01uF 50V K		C983	QEKJ1CM-107Z	E CAPACITOR	100uF 16V M	
C78	NCB31HK-103X	C CAPACITOR	0.01uF 50V K		C984	NCB31HK-103X	C CAPACITOR	0.01uF 50V K	
C79	NBE20JM-106X	TA E CAPACITOR	10uF 6.3V M		C985	QEKJ0JM-227Z	E CAPACITOR	220uF 6.3V M	
C80	NCB31EK-223X	C CAPACITOR	0.022uF 25V K		C988	NCB31HK-103X	C CAPACITOR	0.01uF 50V K	
C81	NDC31HJ-221X	C CAPACITOR	220pF 50V J		C989	QEKJ0JM-476Z	E CAPACITOR	47uF 6.3V M	
C82	NCB31EK-223X	C CAPACITOR	0.022uF 25V K		C991	QEKJ1AM-107Z	E CAPACITOR	100uF 10V M	
C85	NCB31CK-104X	C CAPACITOR	0.1uF 16V K		C992	NCB31CK-473X	C CAPACITOR	0.047uF 16V K	
C86	NCB31CK-104X	C CAPACITOR	0.1uF 16V K		C993	NCB31HK-103X	C CAPACITOR	0.01uF 50V K	
C87	QEKJ1HM-104Z	E CAPACITOR	0.1uF 50V M		C994	NCB31CK-473X	C CAPACITOR	0.047uF 16V K	
C88	NBE20JM-106X	TA E CAPACITOR	10uF 6.3V M		C996	NCB31CK-473X	C CAPACITOR	0.047uF 16V K	
C89	QEKJ0JM-476Z	E CAPACITOR	47uF 6.3V M		C998	NCB31CK-473X	C CAPACITOR	0.047uF 16V K	
C90	NCB31CK-104X	C CAPACITOR	0.1uF 16V K		C1401	QEKJ1HM-225Z	E CAPACITOR	2.2uF 50V M	
C91	NCB31CK-104X	C CAPACITOR	0.1uF 16V K		C1402	NCB31HK-472X	C CAPACITOR	4700pF 50V K	
C92	QEKJ0JM-476Z	E CAPACITOR	47uF 6.3V M		C1403	NDC31HJ-101X	C CAPACITOR	100pF 50V J	
C701	NDC31HJ-8R0X	C CAPACITOR	8pF 50V J		C1404	NCB31CK-102X	C CAPACITOR	1000pF 16V K	
C702	NDC31HJ-8R0X	C CAPACITOR	8pF 50V J		C1451	NDC31HJ-101X	C CAPACITOR	100pF 50V J	
C703	NDC31HJ-330X	C CAPACITOR	33pF 50V J		C1452	NDC31HJ-101X	C CAPACITOR	100pF 50V J	
C704	NDC31HJ-180X	C CAPACITOR	18pF 50V J		C1501	NDC31HJ-101X	C CAPACITOR	100pF 50V J	
C705	QEKJ1CM-107Z	E CAPACITOR	100uF 16V M		C1502	QEKJ1HM-105Z	E CAPACITOR	1uF 50V M	
C708	QEKJ1CM-106Z	E CAPACITOR	10uF 16V M		C1601	NCB31HK-102X	C CAPACITOR	1000pF 50V K	
C709	NCB31HK-103X	C CAPACITOR	0.01uF 50V K		C1602	NDC31HJ-391X	C CAPACITOR	390pF 50V J	
C710	NCB31CK-473X	C CAPACITOR	0.047uF 16V K		C1603	NDC31HJ-391X	C CAPACITOR	390pF 50V J	
C713	QEKJ0JM-337Z	E CAPACITOR	330uF 6.3V M		C1607	QEKJ0JM-476Z	E CAPACITOR	47uF 6.3V M	
C715	NCB31CK-104X	C CAPACITOR	0.1uF 16V K		C1621	NDC31HJ-101X	C CAPACITOR	100pF 50V J	
C716	NCB31HK-471X	C CAPACITOR	470pF 50V K		C1622	NDC31HJ-821X	C CAPACITOR	820pF 50V J	
C718	QEKJ0JM-337Z	E CAPACITOR	330uF 6.3V M		C1623	QEKJ0JM-476Z	E CAPACITOR	47uF 6.3V M	
C720	NCB31HK-103X	C CAPACITOR	0.01uF 50V K		C1624	QEKJ1EM-475Z	E CAPACITOR	4.7uF 25V M	
C721	NCB31HK-471X	C CAPACITOR	470pF 50V K		C1625	NDC31HJ-121X	C CAPACITOR	120pF 50V J	
C723	NDC31HJ-101X	C CAPACITOR	100pF 50V J		C1651	QEKJ1CM-106Z	E CAPACITOR	10uF 16V M	
C724	NCB31CK-473X	C CAPACITOR	0.047uF 16V K		C1652	QTE1H55-105Z	E CAPACITOR	1uF 50V	
C725	NCB31HK-103X	C CAPACITOR	0.01uF 50V K		C1653	QEKJ1HM-105Z	E CAPACITOR	1uF 50V M	
C726	NCB31HK-103X	C CAPACITOR	0.01uF 50V K		C1654	QEKJ1CM-106Z	E CAPACITOR	10uF 16V M	
C727	QEKJ1AM-227Z	E CAPACITOR	220uF 10V M		C1655	NCB31CK-104X	C CAPACITOR	0.1uF 16V K	
C728	QEKJ0JM-337Z	E CAPACITOR	330uF 6.3V M		C1700	QTE1C55-226Z	E CAPACITOR	22uF 16V	
C776	QEKJ0JM-476Z	E CAPACITOR	47uF 6.3V M		C1701	QEKJ1CM-226Z	E CAPACITOR	22uF 16V M	
C777	NCB31HK-103X	C CAPACITOR	0.01uF 50V K		C1702	NCB31CK-104X	C CAPACITOR	0.1uF 16V K	
C792	NCB31CK-104X	C CAPACITOR	0.1uF 16V K		C1703	QEKJ1AM-107Z	E CAPACITOR	100uF 10V M	
C901	QEZ0723-338	E CAPACITOR	3300uF		C1704	NCB31HK-152X	C CAPACITOR	1500pF 50V K	
C902	QEKJ1CM-226Z	E CAPACITOR	22uF 16V M		C1705	QEKJ1HM-225Z	E CAPACITOR	2.2uF 50V M	
C903	QEKJ1CM-226Z	E CAPACITOR	22uF 16V M		C1720	QTE1C55-226Z	E CAPACITOR	22uF 16V	
C904	NCB31HK-103X	C CAPACITOR	0.01uF 50V K		C1721	QEKJ1CM-226Z	E CAPACITOR	22uF 16V M	
C905	QEKJ1AM-107Z	E CAPACITOR	100uF 10V M		C1722	NCB31CK-104X	C CAPACITOR	0.1uF 16V K	
C906	NCB31CK-104X	C CAPACITOR	0.1uF 16V K		C1723	QEKJ1AM-107Z	E CAPACITOR	100uF 10V M	
C907	NCB31HK-103X	C CAPACITOR	0.01uF 50V K		C1724	NCB31HK-152X	C CAPACITOR	1500pF 50V K	
C908	QEKJ1AM-227Z	E CAPACITOR	220uF 10V M		C1725	QEKJ1HM-225Z	E CAPACITOR	2.2uF 50V M	
C910	QEKJ1CM-106Z	E CAPACITOR	10uF 16V M		C1751	NFV81CM-105X	MF CAPACITOR	1uF 16V M	
C911	NCB31CK-104X	C CAPACITOR	0.1uF 16V K		C1752	NDC31HJ-101X	C CAPACITOR	100pF 50V J	
C912	QEKJ1HM-225Z	E CAPACITOR	2.2uF 50V M		C1771	NFV81CM-105X	MF CAPACITOR	1uF 16V M	
C917	NCB31HK-103X	C CAPACITOR	0.01uF 50V K		C1772	NDC31HJ-101X	C CAPACITOR	100pF 50V J	
C921	QEKJ1CM-107Z	E CAPACITOR	100uF 16V M		C1801	NCB31CK-104X	C CAPACITOR	0.1uF 16V K	
C922	NCB31CK-104X	C CAPACITOR	0.1uF 16V K		C2401	QEKJ1HM-225Z	E CAPACITOR	2.2uF 50V M	
C923	QEKJ1EM-476Z	E CAPACITOR	47uF 25V M		C2402	NCB31HK-472X	C CAPACITOR	4700pF 50V K	
C925	QEKJ1EM-476Z	E CAPACITOR	47uF 25V M		C2403	NDC31HJ-101X	C CAPACITOR	100pF 50V J	
C941	QEKJ1CM-107Z	E CAPACITOR	100uF 16V M		C2404	NCB31CK-102X	C CAPACITOR	1000pF 16V K	
C942	QEKJ0JM-107Z	E CAPACITOR	100uF 6.3V M		C2451	NDC31HJ-101X	C CAPACITOR	100pF 50V J	
C950	QEKJ1CM-476Z	E CAPACITOR	47uF 16V M		C2452	NDC31HJ-101X	C CAPACITOR	100pF 50V J	
C951	QEKJ1CM-226Z	E CAPACITOR	22uF 16V M		C2501	NDC31HJ-101X	C CAPACITOR	100pF 50V J	
C952	NCB31HK-103X	C CAPACITOR	0.01uF 50V K		C2502	QEKJ1HM-105Z	E CAPACITOR	1uF 50V M	
C953	QEKJ1CM-106Z	E CAPACITOR	10uF 16V M		C2601	NCB31HK-102X	C CAPACITOR	1000pF 50V K	
C954	QEKJ1HM-475Z	E CAPACITOR	4.7uF 50V M		C2602	NDC31HJ-391X	C CAPACITOR	390pF 50V J	
C955	QEKJ1HM-225Z	E CAPACITOR	2.2uF 50V M		C2603	NDC31HJ-391X	C CAPACITOR	390pF 50V J	
C961	NDC31HJ-101X	C CAPACITOR	100pF 50V J		C2607	QEKJ0JM-476Z	E CAPACITOR	47uF 6.3V M	
C962	NDC31HJ-101X	C CAPACITOR	100pF 50V J		C2621	NDC31HJ-101X	C CAPACITOR	100pF 50V J	
C963	NDC31HJ-101X	C CAPACITOR	100pF 50V J		C2622	NDC31HJ-821X	C CAPACITOR	820pF 50V J	
C964	NDC31HJ-101X	C CAPACITOR	100pF 50V J		C2623	QEKJ0JM-476Z	E CAPACITOR	47uF 6.3V M	
C965	NDC31HJ-101X	C CAPACITOR	100pF 50V J		C2624	QEKJ1EM-475Z	E CAPACITOR	4.7uF 25V M	
C966	NDC31HJ-101X	C CAPACITOR	100pF 50V J		C2625	NDC31HJ-121X	C CAPACITOR	120pF 50V J	
C967	NDC31HJ-101X	C CAPACITOR	100pF 50V J		C2651	QEKJ1CM-106Z	E CAPACITOR	10uF 16V M	
C968	NDC31HJ-101X	C CAPACITOR	100pF 50V J		C2652	QTE1H55-105Z	E CAPACITOR	1uF 50V	
C970	QEKJ1AM-227Z	E CAPACITOR	220uF 10V M		C2653	QEKJ1HM-105Z	E CAPACITOR	1uF 50V M	
C971	NCB31CK-104X	C CAPACITOR	0.1uF 16V K		C2654	QEKJ1CM-106Z	E CAPACITOR	10uF 16V M	
C972	QEKJ1CM-476Z	E CAPACITOR	47uF 16V M		C2655	NCB31CK-104X	C CAPACITOR	0.1uF 16V K	
C973	NCB31CK-104X	C CAPACITOR	0.1uF 16V K		C2700	QTE1C55-226Z	E CAPACITOR	22uF 16V	
C974	NCB31CK-104X	C CAPACITOR	0.1uF 16V K		C2701	QEKJ1CM-226Z	E CAPACITOR	22uF 16V M	
C975	NCB31HK-472X	C CAPACITOR	4700pF 50V K		C2702	NCB31CK-104X	C CAPACITOR	0.1uF 16V K	
C976	NCB31HK-103X	C CAPACITOR	0.01uF 50V K		C2703	QEKJ1AM-107Z	E CAPACITOR	100uF 10V M	
C977	QEKJ0JM-476Z	E CAPACITOR	47uF 6.3V M		C2704	NCB31HK-152X	C CAPACITOR	1500pF 50V K	

△ Symbol No.	Part No.	Part Name	Description	Local	△ Symbol No.	Part No.	Part Name	Description	Local
C2705	QEKJ1HM-225Z	E CAPACITOR	2.2uF 50V M		R6	NRSA63J-331X	MG RESISTOR	330Ω 1/16W J	
C2720	QTE1C55-226Z	E CAPACITOR	22uF 16V		R7	NRSA63J-101X	MG RESISTOR	100Ω 1/16W J	
C2721	QEKJ1CM-226Z	E CAPACITOR	22uF 16V M		R8	NRSA63J-101X	MG RESISTOR	100Ω 1/16W J	
C2722	NCB31CK-104X	C CAPACITOR	0.1uF 16V K		R9	NRSA63J-273X	MG RESISTOR	27kΩ 1/16W J	
C2723	QEKJ1AM-107Z	E CAPACITOR	100uF 10V M		R10	NRSA63J-273X	MG RESISTOR	27kΩ 1/16W J	
C2724	NCB31HK-152X	C CAPACITOR	1500pF 50V K		R11	NRS181J-100X	MG RESISTOR	10Ω 1/8W J	
C2725	QEKJ1HM-225Z	E CAPACITOR	2.2uF 50V M		R12	NRSA63J-103X	MG RESISTOR	10kΩ 1/16W J	
C2751	NFV81CM-105X	MF CAPACITOR	1uF 16V M		R13	NRSA63J-102X	MG RESISTOR	1kΩ 1/16W J	
C2752	NDC31HJ-101X	C CAPACITOR	100pF 50V J		R40	NRSA63J-101X	MG RESISTOR	100Ω 1/16W J	
C2771	NFV81CM-105X	MF CAPACITOR	1uF 16V M		R41	NRSA63J-100X	MG RESISTOR	10Ω 1/16W J	
C2772	NDC31HJ-101X	C CAPACITOR	100pF 50V J		R42	NRSA63J-222X	MG RESISTOR	2.2kΩ 1/16W J	
C2801	NCB31CK-224X	C CAPACITOR	0.22uF 16V K		R43	NRSA63J-222X	MG RESISTOR	2.2kΩ 1/16W J	
C3401	QEKJ0JM-476Z	E CAPACITOR	47uF 6.3V M		R45	NRSA02J-0R0X	MG RESISTOR	0Ω 1/10W J	
C3402	NCB31CK-473X	C CAPACITOR	0.047uF 16V K		R48	NRSA02J-0R0X	MG RESISTOR	0Ω 1/10W J	
C3403	NCB31CK-473X	C CAPACITOR	0.047uF 16V K		R49	NRSA63J-103X	MG RESISTOR	10kΩ 1/16W J	
C3451	NCB31CK-473X	C CAPACITOR	0.047uF 16V K		R58	NRSA63J-473X	MG RESISTOR	47kΩ 1/16W J	
C3501	NCB31CK-473X	C CAPACITOR	0.047uF 16V K		R60	NRSA02J-100X	MG RESISTOR	10Ω 1/10W J	
C3603	QEKJ1CM-226Z	E CAPACITOR	22uF 16V M		R63	NRSA63J-101X	MG RESISTOR	100Ω 1/16W J	
C3623	QEKJ1CM-226Z	E CAPACITOR	22uF 16V M		R64	NRSA63J-101X	MG RESISTOR	100Ω 1/16W J	
C3655	NCB31CK-104X	C CAPACITOR	0.1uF 16V K		R65	NRSA63J-101X	MG RESISTOR	100Ω 1/16W J	
C3701	QEKJ1CM-476Z	E CAPACITOR	47uF 16V M		R66	NRSA63J-101X	MG RESISTOR	100Ω 1/16W J	
C3721	QEKJ1CM-476Z	E CAPACITOR	47uF 16V M		R67	NRSA63J-101X	MG RESISTOR	100Ω 1/16W J	
C3801	NCB31HK-332X	C CAPACITOR	3300pF 50V K		R68	NRSA63J-101X	MG RESISTOR	100Ω 1/16W J	
C3803	QEKJ1EM-475Z	E CAPACITOR	4.7uF 25V M		R69	NRSA63J-101X	MG RESISTOR	100Ω 1/16W J	
C3805	QEKJ0JM-476Z	E CAPACITOR	47uF 6.3V M		R70	NRSA63J-101X	MG RESISTOR	100Ω 1/16W J	
C3806	NCB31HK-222X	C CAPACITOR	2200pF 50V K		R71	NRSA63J-101X	MG RESISTOR	100Ω 1/16W J	
C3807	NCB31CK-473X	C CAPACITOR	0.047uF 16V K		R72	NRSA63J-0R0X	MG RESISTOR	0Ω 1/16W J	
C3808	NCB31CK-104X	C CAPACITOR	0.1uF 16V K		R73	NRSA63J-0R0X	MG RESISTOR	0Ω 1/16W J	
C3809	NCB31CK-333X	C CAPACITOR	0.033uF 16V K		R74	NRSA63J-0R0X	MG RESISTOR	0Ω 1/16W J	
C3810	NCB31CK-473X	C CAPACITOR	0.047uF 16V K		R78	NRSA63J-101X	MG RESISTOR	100Ω 1/16W J	
C3811	NCB31HK-103X	C CAPACITOR	0.01uF 50V K		R82	NRSA63J-0R0X	MG RESISTOR	0Ω 1/16W J	
C3812	QEKJ1CM-106Z	E CAPACITOR	10uF 16V M		R84	NRSA63J-0R0X	MG RESISTOR	0Ω 1/16W J	
C3813	NCB31CK-104X	C CAPACITOR	0.1uF 16V K		R85	NRSA63J-0R0X	MG RESISTOR	0Ω 1/16W J	
C3814	QEKJ1EM-226Z	E CAPACITOR	22uF 25V M		R91	NRSA63J-0R0X	MG RESISTOR	0Ω 1/16W J	
C3815	QEKJ1EM-475Z	E CAPACITOR	4.7uF 25V M		R92	NRSA63J-0R0X	MG RESISTOR	0Ω 1/16W J	
C3816	NCB31HK-152X	C CAPACITOR	1500pF 50V K		R93	NRSA63J-0R0X	MG RESISTOR	0Ω 1/16W J	
C3817	QEKJ1AM-107Z	E CAPACITOR	100uF 10V M		R94	NRSA63J-272X	MG RESISTOR	2.7kΩ 1/16W J	
C3818	QEKJ1CM-226Z	E CAPACITOR	22uF 16V M		R95	NRSA63J-183X	MG RESISTOR	18kΩ 1/16W J	
C4001	NDC31HJ-8R0X	C CAPACITOR	8pF 50V J		R96	NRSA63J-473X	MG RESISTOR	47kΩ 1/16W J	
C4002	NDC31HJ-120X	C CAPACITOR	12pF 50V J		R701	NRSA63J-221X	MG RESISTOR	220Ω 1/16W J	
C4010	NCB31HK-102X	C CAPACITOR	1000pF 50V K		R702	NRSA63J-473X	MG RESISTOR	47kΩ 1/16W J	
C4011	NBE20JM-106X	TA E CAPACITOR	10uF 6.3V M		R703	NRSA63J-106X	MG RESISTOR	10MΩ 1/16W J	
C4012	NCB31HK-102X	C CAPACITOR	1000pF 50V K		R704	NRSA63J-473X	MG RESISTOR	47kΩ 1/16W J	
C4027	NCB31HK-103X	C CAPACITOR	0.01uF 50V K		R705	NRSA63J-221X	MG RESISTOR	220Ω 1/16W J	
C4029	NCB31HK-103X	C CAPACITOR	0.01uF 50V K		R706	NRSA63J-102X	MG RESISTOR	1kΩ 1/16W J	
C4030	NCB31HK-102X	C CAPACITOR	1000pF 50V K		R707	NRSA63J-221X	MG RESISTOR	220Ω 1/16W J	
C4031	NBE20JM-106X	TA E CAPACITOR	10uF 6.3V M		R708	NRSA63J-273X	MG RESISTOR	27kΩ 1/16W J	
C4032	NBE20JM-106X	TA E CAPACITOR	10uF 6.3V M		R709	NRSA63J-101X	MG RESISTOR	100Ω 1/16W J	
C4033	NCB31HK-102X	C CAPACITOR	1000pF 50V K		R713	NRSA63J-0R0X	MG RESISTOR	0Ω 1/16W J	
C4034	NCB31HK-102X	C CAPACITOR	1000pF 50V K		R714	NRSA63J-102X	MG RESISTOR	1kΩ 1/16W J	
C4035	NBE20JM-106X	TA E CAPACITOR	10uF 6.3V M		R715	NRSA63J-102X	MG RESISTOR	1kΩ 1/16W J	
C4036	NCB31HK-102X	C CAPACITOR	1000pF 50V K		R716	NRSA63J-102X	MG RESISTOR	1kΩ 1/16W J	
C4038	NCB31HK-102X	C CAPACITOR	1000pF 50V K		R717	NRSA63J-102X	MG RESISTOR	1kΩ 1/16W J	
C4050	NCB31CK-473X	C CAPACITOR	0.047uF 16V K		R718	NRSA63J-102X	MG RESISTOR	1kΩ 1/16W J	
C4100	NBE20JM-106X	TA E CAPACITOR	10uF 6.3V M		R719	NRSA63J-0R0X	MG RESISTOR	0Ω 1/16W J	
C4101	NCB31CK-104X	C CAPACITOR	0.1uF 16V K		R720	NRSA63J-102X	MG RESISTOR	1kΩ 1/16W J	
C4102	NCB31CK-473X	C CAPACITOR	0.047uF 16V K		R721	NRSA63J-102X	MG RESISTOR	1kΩ 1/16W J	
C4130	NCB31CK-104X	C CAPACITOR	0.1uF 16V K		R722	NRSA63J-101X	MG RESISTOR	100Ω 1/16W J	
C4131	NBE40JM-476X	TA E CAPACITOR	47uF 6.3V M		R723	NRSA63J-101X	MG RESISTOR	100Ω 1/16W J	
C4132	NDC31HJ-101X	C CAPACITOR	100pF 50V J		R724	NRSA63J-101X	MG RESISTOR	100Ω 1/16W J	
C4133	NDC31HJ-471X	C CAPACITOR	470pF 50V J		R725	NRSA63J-103X	MG RESISTOR	10kΩ 1/16W J	
C4134	QEKJ1AM-107Z	E CAPACITOR	100uF 10V M		R729	NRSA63J-102X	MG RESISTOR	1kΩ 1/16W J	
C7101	NCB31HK-103X	C CAPACITOR	0.01uF 50V K		R730	NRSA63J-102X	MG RESISTOR	1kΩ 1/16W J	
C7116	NDC31HJ-101X	C CAPACITOR	100pF 50V J		R731	NRSA63J-0R0X	MG RESISTOR	0Ω 1/16W J	
C7117	NDC31HJ-101X	C CAPACITOR	100pF 50V J		R732	NRSA63J-0R0X	MG RESISTOR	0Ω 1/16W J	
C7201	NCB31HK-103X	C CAPACITOR	0.01uF 50V K		R733	NRSA63J-102X	MG RESISTOR	1kΩ 1/16W J	
C7202	NCB31HK-103X	C CAPACITOR	0.01uF 50V K		R734	NRSA63J-271X	MG RESISTOR	270Ω 1/16W J	
C7203	NCB31HK-103X	C CAPACITOR	0.01uF 50V K		R735	NRSA63J-103X	MG RESISTOR	10kΩ 1/16W J	
C7204	NCB31HK-103X	C CAPACITOR	0.01uF 50V K		R736	NRSA63J-271X	MG RESISTOR	270Ω 1/16W J	
C9001	QEKJ1CM-106Z	E CAPACITOR	10uF 16V M		R737	NRSA63J-102X	MG RESISTOR	1kΩ 1/16W J	
C9051	NCB31CK-104X	C CAPACITOR	0.1uF 16V K		R738	NRSA63J-102X	MG RESISTOR	1kΩ 1/16W J	
C9091	NCB31CK-473X	C CAPACITOR	0.047uF 16V K		R741	NRSA63J-102X	MG RESISTOR	1kΩ 1/16W J	
C9092	NCB31CK-473X	C CAPACITOR	0.047uF 16V K		R742	NRSA63J-102X	MG RESISTOR	1kΩ 1/16W J	
					R743	NRSA63J-102X	MG RESISTOR	1kΩ 1/16W J	
R2	NRSA63J-102X	MG RESISTOR	1kΩ 1/16W J		R744	NRSA63J-102X	MG RESISTOR	1kΩ 1/16W J	
R3	NRSA63J-0R0X	MG RESISTOR	0Ω 1/16W J		R745	NRSA63J-102X	MG RESISTOR	1kΩ 1/16W J	
R4	NRSA63J-0R0X	MG RESISTOR	0Ω 1/16W J		R746	NRSA63J-102X	MG RESISTOR	1kΩ 1/16W J	
R5	NRSA63J-331X	MG RESISTOR	330Ω 1/16W J		R747	NRSA63J-473X	MG RESISTOR	47kΩ 1/16W J	

△ Symbol No.	Part No.	Part Name	Description	Local	△ Symbol No.	Part No.	Part Name	Description	Local
R748	NRSA63J-682X	MG RESISTOR	6.8kΩ 1/16W J		R976	NRSA63J-153X	MG RESISTOR	15kΩ 1/16W J	
R749	NRSA63J-102X	MG RESISTOR	1kΩ 1/16W J		R977	NRSA63J-333X	MG RESISTOR	33kΩ 1/16W J	
R750	NRSA63J-102X	MG RESISTOR	1kΩ 1/16W J		R978	NRSA63J-104X	MG RESISTOR	100kΩ 1/16W J	
R751	NRSA63J-123X	MG RESISTOR	12kΩ 1/16W J		R979	NRSA63J-183X	MG RESISTOR	18kΩ 1/16W J	
R752	NRSA63J-102X	MG RESISTOR	1kΩ 1/16W J		R981	NRS181J-220X	MG RESISTOR	22Ω 1/8W J	
R754	NRSA63J-223X	MG RESISTOR	22kΩ 1/16W J		R982	NRS181J-220X	MG RESISTOR	22Ω 1/8W J	
R755	NRSA63J-221X	MG RESISTOR	220Ω 1/16W J		R984	NRSA63J-473X	MG RESISTOR	47kΩ 1/16W J	
R756	NRSA63J-221X	MG RESISTOR	220Ω 1/16W J		R985	NRSA63J-682X	MG RESISTOR	6.8kΩ 1/16W J	
R757	NRSA63J-102X	MG RESISTOR	1kΩ 1/16W J		R991	NRSA63J-102X	MG RESISTOR	1kΩ 1/16W J	
R758	NRSA63J-473X	MG RESISTOR	47kΩ 1/16W J		R1401	NRSA63J-682X	MG RESISTOR	6.8kΩ 1/16W J	
R759	NRSA63J-102X	MG RESISTOR	1kΩ 1/16W J		R1402	NRSA63J-473X	MG RESISTOR	47kΩ 1/16W J	
R760	NRSA63J-102X	MG RESISTOR	1kΩ 1/16W J		R1404	NRSA63J-123X	MG RESISTOR	12kΩ 1/16W J	
R761	NRSA63J-0R0X	MG RESISTOR	0Ω 1/16W J		R1451	NRSA63J-821X	MG RESISTOR	820Ω 1/16W J	
R762	NRSA63J-102X	MG RESISTOR	1kΩ 1/16W J		R1452	NRSA63J-821X	MG RESISTOR	820Ω 1/16W J	
R763	NRSA63J-102X	MG RESISTOR	1kΩ 1/16W J		R1453	NRSA63J-181X	MG RESISTOR	180Ω 1/16W J	
R764	NRSA63J-102X	MG RESISTOR	1kΩ 1/16W J		R1454	NRSA63J-181X	MG RESISTOR	180Ω 1/16W J	
R765	NRSA63J-102X	MG RESISTOR	1kΩ 1/16W J		R1455	NRSA63J-222X	MG RESISTOR	2.2kΩ 1/16W J	
R766	NRSA63J-102X	MG RESISTOR	1kΩ 1/16W J		R1456	NRSA63J-222X	MG RESISTOR	2.2kΩ 1/16W J	
R767	NRSA63J-102X	MG RESISTOR	1kΩ 1/16W J		R1501	NRSA63J-101X	MG RESISTOR	100Ω 1/16W J	
R768	NRSA63J-224X	MG RESISTOR	220kΩ 1/16W J		R1502	NRSA63J-104X	MG RESISTOR	100kΩ 1/16W J	
R769	NRSA63J-224X	MG RESISTOR	220kΩ 1/16W J		R1503	NRSA63J-682X	MG RESISTOR	6.8kΩ 1/16W J	
R770	NRSA63J-224X	MG RESISTOR	220kΩ 1/16W J		R1504	NRSA63J-103X	MG RESISTOR	10kΩ 1/16W J	
R771	NRSA63J-821X	MG RESISTOR	820Ω 1/16W J		R1601	NRSA63J-472X	MG RESISTOR	4.7kΩ 1/16W J	
R772	NRSA63J-821X	MG RESISTOR	820Ω 1/16W J		R1602	NRSA63J-472X	MG RESISTOR	4.7kΩ 1/16W J	
R773	NRSA63J-154X	MG RESISTOR	150kΩ 1/16W J		R1603	NRSA63J-392X	MG RESISTOR	3.9kΩ 1/16W J	
R774	NRSA63J-473X	MG RESISTOR	47kΩ 1/16W J		R1604	NRSA63J-392X	MG RESISTOR	3.9kΩ 1/16W J	
R776	NRSA63J-222X	MG RESISTOR	2.2kΩ 1/16W J		R1605	NRSA63J-122X	MG RESISTOR	1.2kΩ 1/16W J	
R777	NRSA63J-473X	MG RESISTOR	47kΩ 1/16W J		R1606	NRSA63J-122X	MG RESISTOR	1.2kΩ 1/16W J	
R778	NRSA63J-682X	MG RESISTOR	6.8kΩ 1/16W J		R1607	NRSA63J-102X	MG RESISTOR	1kΩ 1/16W J	
R779	NRSA63J-682X	MG RESISTOR	6.8kΩ 1/16W J		R1608	NRSA63J-102X	MG RESISTOR	1kΩ 1/16W J	
R780	NRSA63J-682X	MG RESISTOR	6.8kΩ 1/16W J		R1621	NRSA63J-0R0X	MG RESISTOR	0Ω 1/16W J	
R784	NRSA63J-102X	MG RESISTOR	1kΩ 1/16W J		R1622	NRSA63J-203X	MG RESISTOR	20kΩ 1/16W J	
R785	NRSA63J-102X	MG RESISTOR	1kΩ 1/16W J		R1623	NRSA63J-103X	MG RESISTOR	10kΩ 1/16W J	
R787	NRSA63J-0R0X	MG RESISTOR	0Ω 1/16W J		R1624	NRSA63J-103X	MG RESISTOR	10kΩ 1/16W J	
R789	NRSA63J-473X	MG RESISTOR	47kΩ 1/16W J		R1625	NRSA63J-333X	MG RESISTOR	33kΩ 1/16W J	
R790	NRSA63J-473X	MG RESISTOR	47kΩ 1/16W J		R1626	NRSA63J-123X	MG RESISTOR	12kΩ 1/16W J	
R791	NRSA63J-473X	MG RESISTOR	47kΩ 1/16W J		R1651	NRSA63J-0R0X	MG RESISTOR	0Ω 1/16W J	
R795	NRSA63J-682X	MG RESISTOR	6.8kΩ 1/16W J		R1652	NRSA63J-0R0X	MG RESISTOR	0Ω 1/16W J	
R796	NRSA63J-101X	MG RESISTOR	100Ω 1/16W J		R1653	NRSA63J-103X	MG RESISTOR	10kΩ 1/16W J	
R797	NRSA63J-102X	MG RESISTOR	1kΩ 1/16W J		R1654	NRSA63J-393X	MG RESISTOR	39kΩ 1/16W J	
R798	NRSA63J-102X	MG RESISTOR	1kΩ 1/16W J		R1655	NRSA63J-0R0X	MG RESISTOR	0Ω 1/16W J	
R799	NRSA63J-102X	MG RESISTOR	1kΩ 1/16W J		R1700	NRSA63J-104X	MG RESISTOR	100kΩ 1/16W J	
R901	NRSA63J-912X	MG RESISTOR	9.1kΩ 1/16W J		R1701	NRSA63J-102X	MG RESISTOR	1kΩ 1/16W J	
R902	NRSA63J-472X	MG RESISTOR	4.7kΩ 1/16W J		R1702	NRSA63J-243X	MG RESISTOR	24kΩ 1/16W J	
R903	NRSA63J-682X	MG RESISTOR	6.8kΩ 1/16W J		R1703	NRSA63J-473X	MG RESISTOR	47kΩ 1/16W J	
R904	NRSA63J-102X	MG RESISTOR	1kΩ 1/16W J		R1704	NRSA63J-363X	MG RESISTOR	36kΩ 1/16W J	
R905	NRSA63J-102X	MG RESISTOR	1kΩ 1/16W J		R1705	NRSA63J-0R0X	MG RESISTOR	0Ω 1/16W J	
R906	NRSA63J-473X	MG RESISTOR	47kΩ 1/16W J		R1720	NRSA63J-104X	MG RESISTOR	100kΩ 1/16W J	
R908	NRSA63J-183X	MG RESISTOR	18kΩ 1/16W J		R1721	NRSA63J-102X	MG RESISTOR	1kΩ 1/16W J	
R909	NRSA63J-563X	MG RESISTOR	56kΩ 1/16W J		R1722	NRSA63J-243X	MG RESISTOR	24kΩ 1/16W J	
R910	QRE142J-102X	C RESISTOR	1kΩ 1/4W J		R1723	NRSA63J-473X	MG RESISTOR	47kΩ 1/16W J	
R911	NRS181J-222X	MG RESISTOR	2.2kΩ 1/8W J		R1724	NRSA63J-363X	MG RESISTOR	36kΩ 1/16W J	
R912	NRS181J-222X	MG RESISTOR	2.2kΩ 1/8W J		R1725	NRSA63J-0R0X	MG RESISTOR	0Ω 1/16W J	
R913	NRSA63J-102X	MG RESISTOR	1kΩ 1/16W J		R1752	NRSA63J-473X	MG RESISTOR	47kΩ 1/16W J	
R914	NRSA63J-103X	MG RESISTOR	10kΩ 1/16W J		R1754	NRSA63J-0R0X	MG RESISTOR	0Ω 1/16W J	
R918	NRSA63J-473X	MG RESISTOR	47kΩ 1/16W J		R1772	NRSA63J-473X	MG RESISTOR	47kΩ 1/16W J	
R919	NRSA63J-183X	MG RESISTOR	18kΩ 1/16W J		R1774	NRSA63J-0R0X	MG RESISTOR	0Ω 1/16W J	
R921	NRSA63J-101X	MG RESISTOR	100Ω 1/16W J		R1801	NRSA63J-101X	MG RESISTOR	100Ω 1/16W J	
R922	NRSA63J-273X	MG RESISTOR	27kΩ 1/16W J		R2401	NRSA63J-682X	MG RESISTOR	6.8kΩ 1/16W J	
R923	NRSA63J-822X	MG RESISTOR	8.2kΩ 1/16W J		R2402	NRSA63J-473X	MG RESISTOR	47kΩ 1/16W J	
R924	NRSA63J-753X	MG RESISTOR	75kΩ 1/16W J		R2404	NRSA63J-123X	MG RESISTOR	12kΩ 1/16W J	
R925	NRSA63J-473X	MG RESISTOR	47kΩ 1/16W J		R2451	NRSA63J-821X	MG RESISTOR	820Ω 1/16W J	
R926	NRSA63J-184X	MG RESISTOR	180kΩ 1/16W J		R2452	NRSA63J-821X	MG RESISTOR	820Ω 1/16W J	
R935	NRSA63J-513X	MG RESISTOR	51kΩ 1/16W J		R2453	NRSA63J-181X	MG RESISTOR	180Ω 1/16W J	
R940	NRSA63J-101X	MG RESISTOR	100Ω 1/16W J		R2454	NRSA63J-181X	MG RESISTOR	180Ω 1/16W J	
R941	NRSA63J-0R0X	MG RESISTOR	0Ω 1/16W J		R2455	NRSA63J-222X	MG RESISTOR	2.2kΩ 1/16W J	
R942	NRSA63J-101X	MG RESISTOR	100Ω 1/16W J		R2456	NRSA63J-222X	MG RESISTOR	2.2kΩ 1/16W J	
R950	NRSA63J-473X	MG RESISTOR	47kΩ 1/16W J		R2501	NRSA63J-101X	MG RESISTOR	100Ω 1/16W J	
R951	NRSA63J-222X	MG RESISTOR	2.2kΩ 1/16W J		R2502	NRSA63J-104X	MG RESISTOR	100kΩ 1/16W J	
R952	NRSA63J-273X	MG RESISTOR	27kΩ 1/16W J		R2503	NRSA63J-682X	MG RESISTOR	6.8kΩ 1/16W J	
R953	NRSA63J-103X	MG RESISTOR	10kΩ 1/16W J		R2504	NRSA63J-103X	MG RESISTOR	10kΩ 1/16W J	
R954	NRSA63J-0R0X	MG RESISTOR	0Ω 1/16W J		R2601	NRSA63J-472X	MG RESISTOR	4.7kΩ 1/16W J	
R955	NRSA63J-473X	MG RESISTOR	47kΩ 1/16W J		R2602	NRSA63J-472X	MG RESISTOR	4.7kΩ 1/16W J	
R970	NRSA02J-0R0X	MG RESISTOR	0Ω 1/10W J		R2603	NRSA63J-392X	MG RESISTOR	3.9kΩ 1/16W J	
R972	NRSA02J-683X	MG RESISTOR	68kΩ 1/10W J		R2604	NRSA63J-392X	MG RESISTOR	3.9kΩ 1/16W J	
R973	NRSA63J-124X	MG RESISTOR	120kΩ 1/16W J		R2605	NRSA63J-122X	MG RESISTOR	1.2kΩ 1/16W J	
R974	NRSA63J-123X	MG RESISTOR	12kΩ 1/16W J		R2606	NRSA63J-122X	MG RESISTOR	1.2kΩ 1/16W J	
R975	NRSA63J-333X	MG RESISTOR	33kΩ 1/16W J		R2607	NRSA63J-102X	MG RESISTOR	1kΩ 1/16W J	

△ Symbol No.	Part No.	Part Name	Description	Local	△ Symbol No.	Part No.	Part Name	Description	Local
R2608	NRSA63J-102X	MG RESISTOR	1kΩ 1/16W J		R4112	NRSA63J-470X	MG RESISTOR	47Ω 1/16W J	
R2621	NRSA63J-0R0X	MG RESISTOR	0Ω 1/16W J		R4113	NRSA63J-331X	MG RESISTOR	330Ω 1/16W J	
R2622	NRSA63J-203X	MG RESISTOR	20kΩ 1/16W J		R4114	NRSA63J-331X	MG RESISTOR	330Ω 1/16W J	
R2623	NRSA63J-103X	MG RESISTOR	10kΩ 1/16W J		R4115	NRSA63J-331X	MG RESISTOR	330Ω 1/16W J	
R2624	NRSA63J-103X	MG RESISTOR	10kΩ 1/16W J		R4130	NRSA63J-0R0X	MG RESISTOR	0Ω 1/16W J	
R2625	NRSA63J-333X	MG RESISTOR	33kΩ 1/16W J		R4131	NRSA63J-470X	MG RESISTOR	47Ω 1/16W J	
R2626	NRSA63J-123X	MG RESISTOR	12kΩ 1/16W J		R4132	NRSA63J-102X	MG RESISTOR	1kΩ 1/16W J	
R2651	NRSA63J-0R0X	MG RESISTOR	0Ω 1/16W J		R4133	NRSA63J-102X	MG RESISTOR	1kΩ 1/16W J	
R2652	NRSA63J-0R0X	MG RESISTOR	0Ω 1/16W J		R4134	NRSA63J-102X	MG RESISTOR	1kΩ 1/16W J	
R2653	NRSA63J-103X	MG RESISTOR	10kΩ 1/16W J		R4135	NRSA63J-102X	MG RESISTOR	1kΩ 1/16W J	
R2654	NRSA63J-393X	MG RESISTOR	39kΩ 1/16W J		R7101	NRSA63J-333X	MG RESISTOR	33kΩ 1/16W J	
R2655	NRSA63J-0R0X	MG RESISTOR	0Ω 1/16W J		R7102	NRSA63J-183X	MG RESISTOR	18kΩ 1/16W J	
R2700	NRSA63J-104X	MG RESISTOR	100kΩ 1/16W J		R7105	NRSA63J-104X	MG RESISTOR	100kΩ 1/16W J	
R2701	NRSA63J-102X	MG RESISTOR	1kΩ 1/16W J		R7106	NRSA63J-104X	MG RESISTOR	100kΩ 1/16W J	
R2702	NRSA63J-243X	MG RESISTOR	24kΩ 1/16W J		R7107	NRSA63J-101X	MG RESISTOR	100Ω 1/16W J	
R2703	NRSA63J-473X	MG RESISTOR	47kΩ 1/16W J		R7110	NRSA63J-101X	MG RESISTOR	100Ω 1/16W J	
R2704	NRSA63J-363X	MG RESISTOR	36kΩ 1/16W J		R7111	NRSA63J-104X	MG RESISTOR	100kΩ 1/16W J	
R2705	NRSA63J-0R0X	MG RESISTOR	0Ω 1/16W J		R7112	NRSA63J-392X	MG RESISTOR	3.9kΩ 1/16W J	
R2720	NRSA63J-104X	MG RESISTOR	100kΩ 1/16W J		R7113	NRSA63J-102X	MG RESISTOR	1kΩ 1/16W J	
R2721	NRSA63J-102X	MG RESISTOR	1kΩ 1/16W J		R7116	NRSA63J-104X	MG RESISTOR	100kΩ 1/16W J	
R2722	NRSA63J-243X	MG RESISTOR	24kΩ 1/16W J		R7117	NRSA63J-104X	MG RESISTOR	100kΩ 1/16W J	
R2723	NRSA63J-473X	MG RESISTOR	47kΩ 1/16W J		R7118	NRSA63J-682X	MG RESISTOR	6.8kΩ 1/16W J	
R2724	NRSA63J-363X	MG RESISTOR	36kΩ 1/16W J		R7202	NRSA63J-0R0X	MG RESISTOR	0Ω 1/16W J	
R2725	NRSA63J-0R0X	MG RESISTOR	0Ω 1/16W J		R7203	NRSA63J-0R0X	MG RESISTOR	0Ω 1/16W J	
R2752	NRSA63J-473X	MG RESISTOR	47kΩ 1/16W J		R7301	NRSA63J-102X	MG RESISTOR	1kΩ 1/16W J	
R2754	NRSA63J-0R0X	MG RESISTOR	0Ω 1/16W J		R7302	NRSA63J-102X	MG RESISTOR	1kΩ 1/16W J	
R2772	NRSA63J-473X	MG RESISTOR	47kΩ 1/16W J		R7303	NRSA63J-102X	MG RESISTOR	1kΩ 1/16W J	
R2774	NRSA63J-0R0X	MG RESISTOR	0Ω 1/16W J		R7304	NRSA63J-102X	MG RESISTOR	1kΩ 1/16W J	
R2801	NRSA63J-101X	MG RESISTOR	100Ω 1/16W J		R7311	NRSA63J-102X	MG RESISTOR	1kΩ 1/16W J	
R3401	NRSA63J-473X	MG RESISTOR	47kΩ 1/16W J		R7312	NRSA63J-102X	MG RESISTOR	1kΩ 1/16W J	
R3403	NRSA63J-471X	MG RESISTOR	470Ω 1/16W J		R7313	NRSA63J-102X	MG RESISTOR	1kΩ 1/16W J	
R3405	NRSA63J-100X	MG RESISTOR	10Ω 1/16W J		R7314	NRSA63J-102X	MG RESISTOR	1kΩ 1/16W J	
R3603	NRSA63J-0R0X	MG RESISTOR	0Ω 1/16W J		R7315	NRSA63J-102X	MG RESISTOR	1kΩ 1/16W J	
R3623	NRSA63J-0R0X	MG RESISTOR	0Ω 1/16W J		R7316	NRSA63J-102X	MG RESISTOR	1kΩ 1/16W J	
R3651	NRSA63J-472X	MG RESISTOR	4.7kΩ 1/16W J		R7317	NRSA63J-102X	MG RESISTOR	1kΩ 1/16W J	
R3655	NRSA63J-222X	MG RESISTOR	2.2kΩ 1/16W J		R7318	NRSA63J-102X	MG RESISTOR	1kΩ 1/16W J	
R3656	NRSA63J-222X	MG RESISTOR	2.2kΩ 1/16W J		R7319	NRSA63J-102X	MG RESISTOR	1kΩ 1/16W J	
R3801	NRSA63J-243X	MG RESISTOR	24kΩ 1/16W J		R7401	NRSA63J-0R0X	MG RESISTOR	0Ω 1/16W J	
R3802	NRSA63J-103X	MG RESISTOR	10kΩ 1/16W J		R7402	NRSA63J-0R0X	MG RESISTOR	0Ω 1/16W J	
R3803	NRSA63J-683X	MG RESISTOR	68kΩ 1/16W J		R7501	NRS181J-181X	MG RESISTOR	180Ω 1/8W J	
R3804	NRSA63J-473X	MG RESISTOR	47kΩ 1/16W J		R9001	NRSA63J-104X	MG RESISTOR	100kΩ 1/16W J	
R3805	NRSA63J-0R0X	MG RESISTOR	0Ω 1/16W J		R9002	NRSA63J-103X	MG RESISTOR	10kΩ 1/16W J	
R3807	NRSA63J-222X	MG RESISTOR	2.2kΩ 1/16W J		R9003	NRSA63J-473X	MG RESISTOR	47kΩ 1/16W J	
R3808	NRSA63J-103X	MG RESISTOR	10kΩ 1/16W J		R9051	NRSA63J-473X	MG RESISTOR	47kΩ 1/16W J	
R3809	NRSA63J-103X	MG RESISTOR	10kΩ 1/16W J		R9052	NRSA63J-102X	MG RESISTOR	1kΩ 1/16W J	
R3810	NRSA63J-273X	MG RESISTOR	27kΩ 1/16W J		L1	NQL79GM-4R7X	COIL	4.7uH M	
R3811	NRSA63J-273X	MG RESISTOR	27kΩ 1/16W J		L30	NQR0129-003X	FERRITE BEADS		
R3812	NRSA63J-273X	MG RESISTOR	27kΩ 1/16W J		L31	NQL093K-2R2X	COIL	2.2uH K	
R3813	NRSA63J-243X	MG RESISTOR	24kΩ 1/16W J		L40	NQR0129-003X	FERRITE BEADS		
R3814	NRSA63J-363X	MG RESISTOR	36kΩ 1/16W J		L61	NQR0129-003X	FERRITE BEADS		
R3815	NRSA63J-821X	MG RESISTOR	820Ω 1/16W J		L62	NRSA63J-0R0X	MG RESISTOR	0Ω 1/16W J	
R4001	NRSA63J-101X	MG RESISTOR	100Ω 1/16W J		L63	NQL093K-1R8X	COIL	1.8uH K	
R4010	NRSA63J-102X	MG RESISTOR	1kΩ 1/16W J		L701	NQL79GM-100X	COIL	10uH M	
R4011	NRSA63J-473X	MG RESISTOR	47kΩ 1/16W J		L704	NQL79GM-4R7X	COIL	4.7uH M	
R4013	NRSA63J-102X	MG RESISTOR	1kΩ 1/16W J		L705	NQL79GM-4R7X	COIL	4.7uH M	
R4014	NRSA63J-102X	MG RESISTOR	1kΩ 1/16W J		L706	NQL79GM-4R7X	COIL	4.7uH M	
R4015	NRSA63J-102X	MG RESISTOR	1kΩ 1/16W J		L901	QQR1378-002	COIL		
R4016	NRSA63J-102X	MG RESISTOR	1kΩ 1/16W J		L971	NQL56CK-220X	INDUCTOR	22uH K	
R4017	NRSA63J-102X	MG RESISTOR	1kΩ 1/16W J		L4001	NQL382M-470X	COIL	47uH M	
R4018	NRSA63J-102X	MG RESISTOR	1kΩ 1/16W J		L4002	NQL382M-470X	COIL	47uH M	
R4051	NRSA63J-331X	MG RESISTOR	330Ω 1/16W J		L4003	NQL093K-1R8X	COIL	1.8uH K	
R4053	NRSA63J-102X	MG RESISTOR	1kΩ 1/16W J		L4101	NQL79GM-470X	COIL	47uH M	
R4054	NRSA63J-331X	MG RESISTOR	330Ω 1/16W J		L4130	NQL382M-470X	COIL	47uH M	
R4055	NRSA63J-221X	MG RESISTOR	220Ω 1/16W J		L7201	NQL79GM-470X	COIL	47uH M	
R4056	NRSA63J-0R0X	MG RESISTOR	0Ω 1/16W J		BZ791	QAN0023-001Z	BUZZER		
R4068	NRSA63J-102X	MG RESISTOR	1kΩ 1/16W J		CN341	QGA2006C1-04	CONNECTOR	W-B (1-4)	
R4100	NRSA63J-102X	MG RESISTOR	1kΩ 1/16W J		CN345	QNN0490-001	PIN JACK		
R4101	NRSA63J-102X	MG RESISTOR	1kΩ 1/16W J		CN351	QNZ0095-001	CONNECTOR		
R4102	NRSA63J-102X	MG RESISTOR	1kΩ 1/16W J		CN381	QGA2501C1-03	CONNECTOR	W-B (1-3)	
R4103	NRSA63J-102X	MG RESISTOR	1kΩ 1/16W J		CN701	QGF1041C1-16W	CONNECTOR	FFC/FPC (1-16)	
R4104	NRSA63J-102X	MG RESISTOR	1kΩ 1/16W J		CN702	QGA2006F1-02	CONNECTOR	W-B (1-2)	
R4105	NRSA63J-102X	MG RESISTOR	1kΩ 1/16W J		CN721	QGB2027M5-20S	CONNECTOR	B-B (1-20)	
R4106	NRSA63J-102X	MG RESISTOR	1kΩ 1/16W J		CN901	QNZ0611-001	16P CONNECTOR		
R4107	NRSA63J-102X	MG RESISTOR	1kΩ 1/16W J		CN991	QGA2501C1-02	CONNECTOR	W-B (1-2)	
R4108	NRSA63J-473X	MG RESISTOR	47kΩ 1/16W J		CN992	QGA2001C1-04	CONNECTOR	W-B (1-4)	
R4109	NRSA63J-473X	MG RESISTOR	47kΩ 1/16W J		J1	QAM0556-001	ANT CABLE		
R4110	NRSA63J-473X	MG RESISTOR	47kΩ 1/16W J						
R4111	NRSA63J-473X	MG RESISTOR	47kΩ 1/16W J						

△ Symbol No.	Part No.	Part Name	Description	Local
K722	NQR0022-005X	FERRITE BEADS		
K723	NQR0022-005X	FERRITE BEADS		
PP1	QZW0010-001	STYLE PIN		
PP2	QZW0010-001	STYLE PIN		
PP3	QZW0010-001	STYLE PIN		
TH901	NAD0036-224X	N THERMISTOR	220kΩ	
TH902	NAD0031-002X	N THERMISTOR	Ω	
TU1	QAU0325-004	TUNER PACK		
X1	QAX0781-001Z	CRYSTAL	41.600MHz	
X701	QAX0782-001Z	CRYSTAL	32.000MHz	
X702	QAX0401-001	CRYSTAL	32.768KHz	
X4001	NAX0664-001X	CRYSTAL		

△ Symbol No.	Part No.	Part Name	Description	Local
C801	NCB31CK-473X	C CAPACITOR	0.047uF 16V K	
C802	NBE20JM-106X	TA E CAPACITOR	10uF 6.3V M	
C804	NCB31HK-102X	C CAPACITOR	1000pF 50V K	
C805	NCB31HK-102X	C CAPACITOR	1000pF 50V K	
C806	NCB31HK-102X	C CAPACITOR	1000pF 50V K	
C811	NCB31CK-473X	C CAPACITOR	0.047uF 16V K	
C871	NBE20JM-106X	TA E CAPACITOR	10uF 6.3V M	
C872	NCB31HK-102X	C CAPACITOR	1000pF 50V K	
C873	NCB11EM-105X	C CAPACITOR	1uF 25V M	
C874	NCB31HK-102X	C CAPACITOR	1000pF 50V K	
C881	NBE20JM-475X	TA E CAPACITOR	4.7uF 6.3V M	
C882	NCB31CK-473X	C CAPACITOR	0.047uF 16V K	
C891	NBE20JM-106X	TA E CAPACITOR	10uF 6.3V M	
C892	NCB31CK-473X	C CAPACITOR	0.047uF 16V K	
C897	NDC31HJ-101X	C CAPACITOR	100pF 50V J	
C898	NDC31HJ-100X	C CAPACITOR	10pF 50V J	

## Switch board

### Block No. [0][2]

△ Symbol No.	Part No.	Part Name	Description	Local
IC461	GP1UX511RK	RM.RECEIVER		
IC471	HY57V161610ET-8	IC		
IC471	or MSM56V16160F8T3	IC		
IC491	SG32M90TFIR3C02	I.C.(FLASH		
IC801	MN103S77NDW	IC		
IC802	NJU6311RB2-W	IC		
IC881	IC-PST3424U-X	IC		
Q430	UN2211-X	TRANSISTOR		
Q431	UN2211-X	TRANSISTOR		
Q440	2SB709A/QR/-X	TRANSISTOR		
Q441	2SB709A/QR/-X	TRANSISTOR		
Q442	2SB709A/QR/-X	TRANSISTOR		
Q471	UN2211-X	TRANSISTOR		
Q472	UN211L-X	TRANSISTOR		
Q880	2SD601A/QR/-X	TRANSISTOR		
Q881	2SD601A/QR/-X	TRANSISTOR		
D401	MA8062/M/-X	Z DIODE		
D402	MA8062/M/-X	Z DIODE		
D403	MA8062/M/-X	Z DIODE		
D404	MA8062/M/-X	Z DIODE		
D405	MA8062/M/-X	Z DIODE		
D406	MA8062/M/-X	Z DIODE		
D407	MA8062/M/-X	Z DIODE		
D408	MA8062/M/-X	Z DIODE		
D409	MA8062/M/-X	Z DIODE		
D410	NECBB205/WQR/-X	E CAPACITOR	#NCVpF 0	
D411	NECBB205/WQR/-X	E CAPACITOR	#NCVpF 0	
D412	NECBB205/WQR/-X	E CAPACITOR	#NCVpF 0	
D413	NECBB205/WQR/-X	E CAPACITOR	#NCVpF 0	
D414	NECBB205/WQR/-X	E CAPACITOR	#NCVpF 0	
D415	NECBB205/WQR/-X	E CAPACITOR	#NCVpF 0	
D416	NECBB205/WQR/-X	E CAPACITOR	#NCVpF 0	
D417	MA8056/M/-X	Z DIODE		
D420	S30AW0A03/5B3-X	LED		
D421	S30AW0A03/5B3-X	LED		
D422	S30AW0A03/5B3-X	LED		
D430	SML-310LT/MN/-X	LED		
D431	SML-310LT/MN/-X	LED		
D441	MA152WK-X	SI DIODE		
D474	MA111-X	SI DIODE		
D478	MA111-X	SI DIODE		
D490	MA8062/M/-X	Z DIODE		
D491	UDZS11B-X	Z DIODE		
D881	MA152WA-X	DIODE		
D882	MA111-X	SI DIODE		
C401	NDC31HJ-101X	C CAPACITOR	100pF 50V J	
C461	NBE20JM-106X	TA E CAPACITOR	10uF 6.3V M	
C471	NDC31HJ-471X	C CAPACITOR	470pF 50V J	
C472	NCB31CK-473X	C CAPACITOR	0.047uF 16V K	
C473	NBE20JM-106X	TA E CAPACITOR	10uF 6.3V M	
C491	NDC31HJ-471X	C CAPACITOR	470pF 50V J	
C492	NCB31CK-473X	C CAPACITOR	0.047uF 16V K	
C493	NBE20JM-106X	TA E CAPACITOR	10uF 6.3V M	

R410	NRSA63J-222X	MG RESISTOR	2.2kΩ 1/16W J	
R411	NRSA63J-222X	MG RESISTOR	2.2kΩ 1/16W J	
R412	NRSA63J-122X	MG RESISTOR	1.2kΩ 1/16W J	
R413	NRSA63J-122X	MG RESISTOR	1.2kΩ 1/16W J	
R414	NRSA63J-122X	MG RESISTOR	1.2kΩ 1/16W J	
R415	NRSA63J-122X	MG RESISTOR	1.2kΩ 1/16W J	
R416	NRSA63J-122X	MG RESISTOR	1.2kΩ 1/16W J	
R417	NRSA63J-122X	MG RESISTOR	1.2kΩ 1/16W J	
R420	NRSA63J-122X	MG RESISTOR	1.2kΩ 1/16W J	
R421	NRSA63J-122X	MG RESISTOR	1.2kΩ 1/16W J	
R422	NRSA63J-122X	MG RESISTOR	1.2kΩ 1/16W J	
R423	NRSA63J-122X	MG RESISTOR	1.2kΩ 1/16W J	
R424	NRSA63J-122X	MG RESISTOR	1.2kΩ 1/16W J	
R425	NRSA63J-122X	MG RESISTOR	1.2kΩ 1/16W J	
R430	NRSA63J-102X	MG RESISTOR	1kΩ 1/16W J	
R431	NRSA63J-102X	MG RESISTOR	1kΩ 1/16W J	
R432	NRSA63J-103X	MG RESISTOR	10kΩ 1/16W J	
R441	NRSA63J-152X	MG RESISTOR	1.5kΩ 1/16W J	
R442	NRSA63J-301X	MG RESISTOR	300Ω 1/16W J	
R443	NRSA63J-271X	MG RESISTOR	270Ω 1/16W J	
R444	NRSA63J-391X	MG RESISTOR	390Ω 1/16W J	
R445	NRSA63J-561X	MG RESISTOR	560Ω 1/16W J	
R446	NRSA63J-821X	MG RESISTOR	820Ω 1/16W J	
R448	NRSA63J-152X	MG RESISTOR	1.5kΩ 1/16W J	
R449	NRSA63J-301X	MG RESISTOR	300Ω 1/16W J	
R450	NRSA63J-271X	MG RESISTOR	270Ω 1/16W J	
R451	NRSA63J-391X	MG RESISTOR	390Ω 1/16W J	
R452	NRSA63J-561X	MG RESISTOR	560Ω 1/16W J	
R453	NRSA63J-821X	MG RESISTOR	820Ω 1/16W J	
R454	NRSA63J-473X	MG RESISTOR	47kΩ 1/16W J	
R455	NRSA63J-473X	MG RESISTOR	47kΩ 1/16W J	
R456	NRSA63J-474X	MG RESISTOR	470kΩ 1/16W J	
R461	NRSA63J-473X	MG RESISTOR	47kΩ 1/16W J	
R462	NRSA63J-0R0X	MG RESISTOR	0Ω 1/16W J	
R463	NRSA63J-470X	MG RESISTOR	47Ω 1/16W J	
R464	NRSA63J-333X	MG RESISTOR	33kΩ 1/16W J	
R470	NRSA63J-122X	MG RESISTOR	1.2kΩ 1/16W J	
R471	NRSA63J-122X	MG RESISTOR	1.2kΩ 1/16W J	
R472	NRSA63J-122X	MG RESISTOR	1.2kΩ 1/16W J	
R473	NRSA63J-103X	MG RESISTOR	10kΩ 1/16W J	
R474	NRSA63J-102X	MG RESISTOR	1kΩ 1/16W J	
R480	NRSA63J-0R0X	MG RESISTOR	0Ω 1/16W J	
R499	NRSA63J-473X	MG RESISTOR	47kΩ 1/16W J	
R801	NRSA63J-102X	MG RESISTOR	1kΩ 1/16W J	
R802	NRSA63J-102X	MG RESISTOR	1kΩ 1/16W J	
R803	NRSA63J-222X	MG RESISTOR	2.2kΩ 1/16W J	
R804	NRSA63J-102X	MG RESISTOR	1kΩ 1/16W J	
R805	NRSA63J-102X	MG RESISTOR	1kΩ 1/16W J	
R806	NRSA63J-102X	MG RESISTOR	1kΩ 1/16W J	
R807	NRSA63J-102X	MG RESISTOR	1kΩ 1/16W J	
R808	NRSA63J-102X	MG RESISTOR	1kΩ 1/16W J	
R809	NRSA63J-102X	MG RESISTOR	1kΩ 1/16W J	
R810	NRSA63J-102X	MG RESISTOR	1kΩ 1/16W J	
R811	NRSA63J-102X	MG RESISTOR	1kΩ 1/16W J	
R812	NRSA63J-102X	MG RESISTOR	1kΩ 1/16W J	
R813	NRSA63J-102X	MG RESISTOR	1kΩ 1/16W J	
R814	NRSA63J-102X	MG RESISTOR	1kΩ 1/16W J	
R815	NRSA63J-102X	MG RESISTOR	1kΩ 1/16W J	
R816	NRSA63J-102X	MG RESISTOR	1kΩ 1/16W J	
R817	NRSA63J-102X	MG RESISTOR	1kΩ 1/16W J	
R818	NRSA63J-102X	MG RESISTOR	1kΩ 1/16W J	



Symbol No.	Part No.	Part Name	Description	Local
R819	NRSA63J-473X	MG RESISTOR	47kΩ 1/16W J	
R820	NRSA63J-473X	MG RESISTOR	47kΩ 1/16W J	
R821	NRSA63J-102X	MG RESISTOR	1kΩ 1/16W J	
R825	NRSA63J-102X	MG RESISTOR	1kΩ 1/16W J	
R826	NRSA63J-102X	MG RESISTOR	1kΩ 1/16W J	
R827	NRSA63J-102X	MG RESISTOR	1kΩ 1/16W J	
R828	NRSA63J-102X	MG RESISTOR	1kΩ 1/16W J	
R829	NRSA63J-102X	MG RESISTOR	1kΩ 1/16W J	
R846	NRSA63J-330X	MG RESISTOR	33Ω 1/16W J	
R847	NRSA63J-330X	MG RESISTOR	33Ω 1/16W J	
R848	NRSA63J-330X	MG RESISTOR	33Ω 1/16W J	
R849	NRSA63J-330X	MG RESISTOR	33Ω 1/16W J	
R850	NRSA63J-330X	MG RESISTOR	33Ω 1/16W J	
R851	NRSA63J-330X	MG RESISTOR	33Ω 1/16W J	
R852	NRSA63J-330X	MG RESISTOR	33Ω 1/16W J	
R853	NRSA63J-0R0X	MG RESISTOR	0Ω 1/16W J	
R854	NRSA63J-0R0X	MG RESISTOR	0Ω 1/16W J	
R855	NRSA63J-0R0X	MG RESISTOR	0Ω 1/16W J	
R856	NRSA63J-0R0X	MG RESISTOR	0Ω 1/16W J	
R857	NRSA63J-330X	MG RESISTOR	33Ω 1/16W J	
R858	NRSA63J-330X	MG RESISTOR	33Ω 1/16W J	
R859	NRSA63J-330X	MG RESISTOR	33Ω 1/16W J	
R870	NRSA63J-102X	MG RESISTOR	1kΩ 1/16W J	
R873	NRSA63J-330X	MG RESISTOR	33Ω 1/16W J	
R878	NRSA63J-473X	MG RESISTOR	47kΩ 1/16W J	
R879	NRSA63J-103X	MG RESISTOR	10kΩ 1/16W J	
R880	NRSA63J-473X	MG RESISTOR	47kΩ 1/16W J	
R881	NRSA63J-103X	MG RESISTOR	10kΩ 1/16W J	
R882	NRSA63J-102X	MG RESISTOR	1kΩ 1/16W J	
R883	NRSA63J-102X	MG RESISTOR	1kΩ 1/16W J	
R885	NRSA63J-473X	MG RESISTOR	47kΩ 1/16W J	
R886	NRSA63J-474X	MG RESISTOR	470kΩ 1/16W J	
R891	NRSA63J-222X	MG RESISTOR	2.2kΩ 1/16W J	
R892	NRSA63J-473X	MG RESISTOR	47kΩ 1/16W J	
R893	NRSA63J-102X	MG RESISTOR	1kΩ 1/16W J	
R896	NRSA63J-100X	MG RESISTOR	10Ω 1/16W J	
R897	NRSA63J-101X	MG RESISTOR	100Ω 1/16W J	
R898	NRSA63J-103X	MG RESISTOR	10kΩ 1/16W J	
RA801	NRZ0065-330X	NET RESISTOR	33Ω	
RA802	NRZ0065-330X	NET RESISTOR	33Ω	
RA803	NRZ0065-330X	NET RESISTOR	33Ω	
RA804	NRZ0065-330X	NET RESISTOR	33Ω	
RA805	NRZ0065-330X	NET RESISTOR	33Ω	
RA806	NRZ0065-330X	NET RESISTOR	33Ω	
RA807	NRZ0065-330X	NET RESISTOR	33Ω	
RA808	NRZ0065-330X	NET RESISTOR	33Ω	
RA809	NRZ0065-330X	NET RESISTOR	33Ω	
L891	NQL79GM-4R7X	COIL	4.7uH M	
CN801	NNZ0098-003X	CAR CONNECTOR		
CN871	QGF0534F1-30X	CONNECTOR	FFC/FPC (1-30)	
EN401	QSW1025-001	ROTARY ENCODER		
K471	NRSA63J-0R0X	MG RESISTOR	0Ω 1/16W J	
K491	NRSA63J-0R0X	MG RESISTOR	0Ω 1/16W J	
K801	NRSA63J-0R0X	MG RESISTOR	0Ω 1/16W J	
S441	NSW0124-001X	TACT SW		
S442	NSW0124-001X	TACT SW		
S443	NSW0124-001X	TACT SW		
S444	NSW0124-001X	TACT SW		
S445	NSW0220-001X	TACT SW		
S446	NSW0220-001X	TACT SW		
S448	NSW0124-001X	TACT SW		
S449	NSW0124-001X	TACT SW		
S450	NSW0124-001X	TACT SW		
S451	NSW0124-001X	TACT SW		
S453	NSW0124-001X	TACT SW		
S811	NSW0124-001X	TACT SW		
X801	NAX0663-001X	C RESONATOR		

## Mechanism control board

Block No. [0][3]

Symbol No.	Part No.	Part Name	Description	Local
IC430	SN74AHC04PW-X	IC		
IC502	BR24L01AFV-W-X	IC		
IC503	SN74AHCT126PW-X	IC(DIGITAL)		
IC504	NJU7241F33-X	IC		
IC601	TC94A15FG	IC		
IC651	NJU772F15-X	IC		
IC652	TC94A34FG-002	IC		
IC653	MSM51V17405F5TS	IC		
IC654	SN74CBTLV3257PX	IC		
IC655	SN74AHC1G08V-X	IC		
IC681	LA6242H-X	IC		
Q430	2SB624/4/-X	TRANSISTOR		
Q431	UN2211-X	TRANSISTOR		
Q501	UN211M-X	DIGI TRANSISTOR		
Q502	UN2211-X	TRANSISTOR		
Q503	RPM-22PB	PHOTO TRANSISTOR		
Q504	UN2211-X	TRANSISTOR		
Q601	2SB1132/QR/-W	TRANSISTOR		
Q651	UN2211-X	TRANSISTOR		
Q652	2SB624/4/-X	TRANSISTOR		
Q681	2SB1184/QR/-X	TRANSISTOR		
D506	1SS355-X	SI DIODE		
D682	1SR154-400-X	DIODE		
C431	NDC31HJ-270X	C CAPACITOR	27pF 50V J	
C432	NDC31HJ-270X	C CAPACITOR	27pF 50V J	
C433	NCB31CK-104X	C CAPACITOR	0.1uF 16V K	
C501	NCB31HK-103X	C CAPACITOR	0.01uF 50V K	
C502	NCB31HK-223X	C CAPACITOR	0.022uF 50V K	
C503	NEAG0GM-227X	E CAPACITOR	220uF 4V M	
C504	NDC31HJ-220X	C CAPACITOR	22pF 50V J	
C505	NDC31HJ-220X	C CAPACITOR	22pF 50V J	
C506	NCB31HK-103X	C CAPACITOR	0.01uF 50V K	
C507	NCB31HK-223X	C CAPACITOR	0.022uF 50V K	
C508	NCB31HK-103X	C CAPACITOR	0.01uF 50V K	
C509	NCB31HK-223X	C CAPACITOR	0.022uF 50V K	
C510	NCB31HK-103X	C CAPACITOR	0.01uF 50V K	
C511	NCB31CK-104X	C CAPACITOR	0.1uF 16V K	
C512	NEAG0GM-227X	E CAPACITOR	220uF 4V M	
C513	NCB31HK-103X	C CAPACITOR	0.01uF 50V K	
C514	NDC31HJ-102X	C CAPACITOR	1000pF 50V J	
C516	NEAG0GM-227X	E CAPACITOR	220uF 4V M	
C530	NDC31HJ-102X	C CAPACITOR	1000pF 50V J	
C551	NCB31HK-103X	C CAPACITOR	0.01uF 50V K	
C597	NDC31HJ-102X	C CAPACITOR	1000pF 50V J	
C598	NDC31HJ-102X	C CAPACITOR	1000pF 50V J	
C599	NDC31HJ-102X	C CAPACITOR	1000pF 50V J	
C601	NEAF0JM-107X	E CAPACITOR	100uF 6.3V M	
C602	NCB31HK-681X	C CAPACITOR	680pF 50V K	
C603	NEAF0JM-107X	E CAPACITOR	100uF 6.3V M	
C604	NCB31HK-103X	C CAPACITOR	0.01uF 50V K	
C605	NCB31CK-104X	C CAPACITOR	0.1uF 16V K	
C606	NEAF0JM-476X	E CAPACITOR	47uF 6.3V M	
C607	NCB31CK-104X	C CAPACITOR	0.1uF 16V K	
C608	NCB31CK-104X	C CAPACITOR	0.1uF 16V K	
C610	NCB31CK-104X	C CAPACITOR	0.1uF 16V K	
C612	NCB31HK-103X	C CAPACITOR	0.01uF 50V K	
C613	NCB31HK-103X	C CAPACITOR	0.01uF 50V K	
C614	NCB31HK-103X	C CAPACITOR	0.01uF 50V K	
C615	NCB31CK-224X	C CAPACITOR	0.22uF 16V K	
C616	NEAF0JM-476X	E CAPACITOR	47uF 6.3V M	
C617	NCB31CK-104X	C CAPACITOR	0.1uF 16V K	
C618	NCB31CK-104X	C CAPACITOR	0.1uF 16V K	
C621	NCB31CK-104X	C CAPACITOR	0.1uF 16V K	
C622	NEAF0JM-476X	E CAPACITOR	47uF 6.3V M	
C623	NCS31HJ-470X	C CAPACITOR	47pF 50V J	
C624	NCB31HK-153X	C CAPACITOR	0.015uF 50V K	
C625	NCB31HK-103X	C CAPACITOR	0.01uF 50V K	
C626	NCB31HK-103X	C CAPACITOR	0.01uF 50V K	
C627	NCB31CK-104X	C CAPACITOR	0.1uF 16V K	
C629	NCB31EK-333X	C CAPACITOR	0.033uF 25V K	

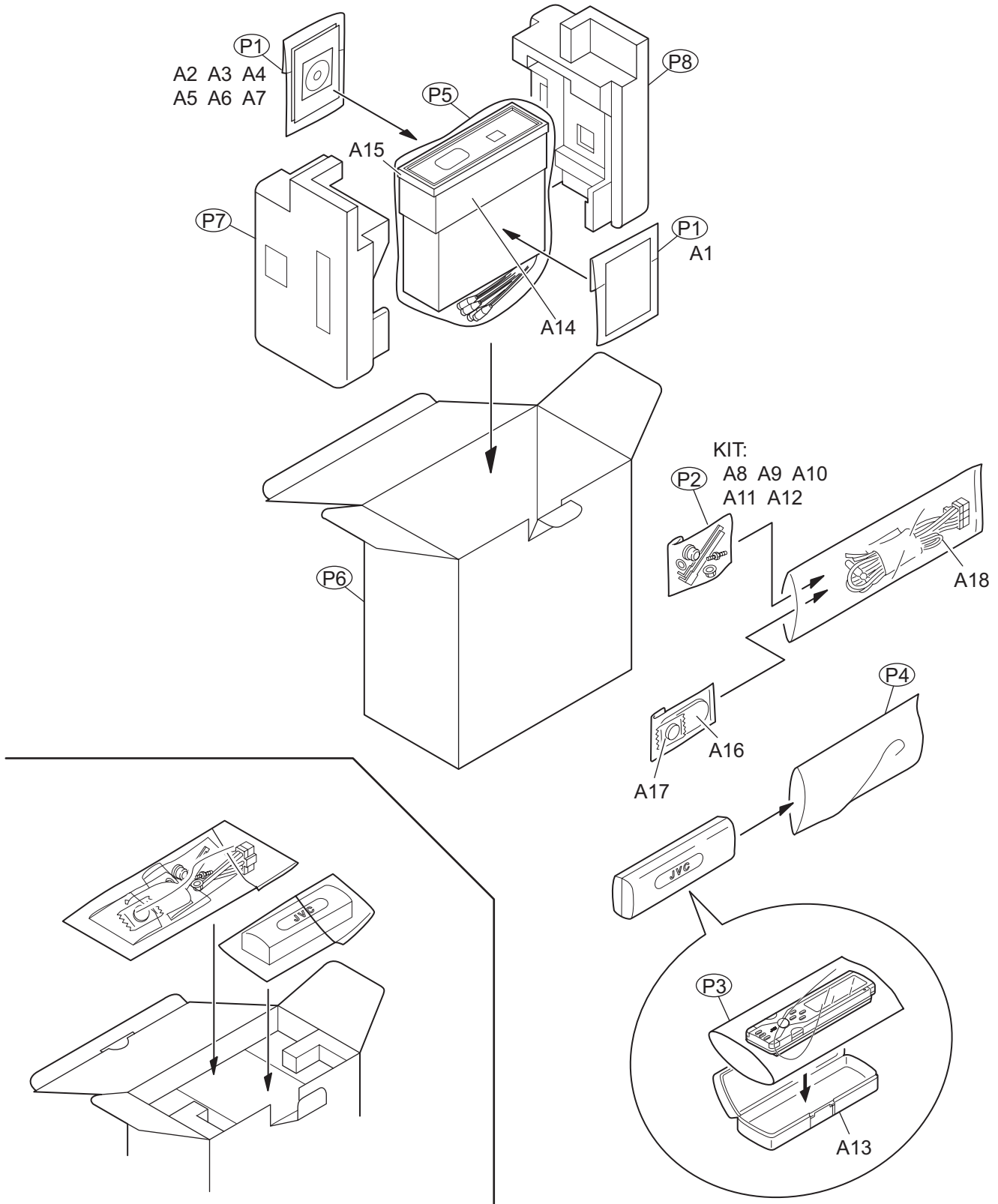
△ Symbol No.	Part No.	Part Name	Description	Local	△ Symbol No.	Part No.	Part Name	Description	Local
C630	NCB31EK-333X	C CAPACITOR	0.033uF 25V K		R514	NRSA63J-473X	MG RESISTOR	47kΩ 1/16W J	
C631	NCS31HJ-471X	C CAPACITOR	470pF 50V J		R515	NRSA63J-473X	MG RESISTOR	47kΩ 1/16W J	
C632	NCS31HJ-471X	C CAPACITOR	470pF 50V J		R516	NRSA63J-102X	MG RESISTOR	1kΩ 1/16W J	
C633	NCB31CK-104X	C CAPACITOR	0.1uF 16V K		R517	NRSA63J-101X	MG RESISTOR	100Ω 1/16W J	
C634	NCB31HK-472X	C CAPACITOR	4700pF 50V K		R518	NRSA63J-101X	MG RESISTOR	100Ω 1/16W J	
C635	NCB31CK-153X	C CAPACITOR	0.015uF 16V K		R519	NRSA63J-101X	MG RESISTOR	100Ω 1/16W J	
C636	NCB31CK-473X	C CAPACITOR	0.047uF 16V K		R520	NRSA63J-101X	MG RESISTOR	100Ω 1/16W J	
C637	NCB31CK-473X	C CAPACITOR	0.047uF 16V K		R521	NRSA63J-101X	MG RESISTOR	100Ω 1/16W J	
C638	NCB31HK-103X	C CAPACITOR	0.01uF 50V K		R522	NRSA63J-101X	MG RESISTOR	100Ω 1/16W J	
C640	NCB31HK-103X	C CAPACITOR	0.01uF 50V K		R523	NRSA63J-101X	MG RESISTOR	100Ω 1/16W J	
C641	NEAF0JM-476X	E CAPACITOR	47uF 6.3V M		R524	NRSA63J-101X	MG RESISTOR	100Ω 1/16W J	
C642	NCS31HJ-101X	C CAPACITOR	100pF 50V J		R526	NRSA63J-473X	MG RESISTOR	47kΩ 1/16W J	
C643	NCB31CK-104X	C CAPACITOR	0.1uF 16V K		R527	NRSA63J-473X	MG RESISTOR	47kΩ 1/16W J	
C644	NCB31AK-334X	C CAPACITOR	0.33uF 10V K		R531	NRSA63J-473X	MG RESISTOR	47kΩ 1/16W J	
C645	NEAF0JM-476X	E CAPACITOR	47uF 6.3V M		R532	NRSA63J-473X	MG RESISTOR	47kΩ 1/16W J	
C646	NCB31CK-104X	C CAPACITOR	0.1uF 16V K		R533	NRSA63J-101X	MG RESISTOR	100Ω 1/16W J	
C647	NCS31HJ-680X	C CAPACITOR	68pF 50V J		R534	NRSA63J-101X	MG RESISTOR	100Ω 1/16W J	
C648	NBE20JM-106X	TA E CAPACITOR	10uF 6.3V M		R539	NRSA63J-473X	MG RESISTOR	47kΩ 1/16W J	
C649	NCB31HK-562X	C CAPACITOR	5600pF 50V K		R540	NRSA63J-473X	MG RESISTOR	47kΩ 1/16W J	
C651	NEAF0JM-476X	E CAPACITOR	47uF 6.3V M		R541	NRSA63J-101X	MG RESISTOR	100Ω 1/16W J	
C652	NCB31HK-103X	C CAPACITOR	0.01uF 50V K		R542	NRSA63J-103X	MG RESISTOR	10kΩ 1/16W J	
C653	NEAF0JM-476X	E CAPACITOR	47uF 6.3V M		R543	NRSA63J-101X	MG RESISTOR	100Ω 1/16W J	
C654	NCB31CK-104X	C CAPACITOR	0.1uF 16V K		R544	NRSA63J-101X	MG RESISTOR	100Ω 1/16W J	
C655	NCB31HK-103X	C CAPACITOR	0.01uF 50V K		R545	NRSA63J-103X	MG RESISTOR	10kΩ 1/16W J	
C656	NCB31CK-104X	C CAPACITOR	0.1uF 16V K		R546	NRSA63J-271X	MG RESISTOR	270Ω 1/16W J	
C658	NEAF0JM-476X	E CAPACITOR	47uF 6.3V M		R547	NRSA63J-271X	MG RESISTOR	270Ω 1/16W J	
C659	NCB31CK-104X	C CAPACITOR	0.1uF 16V K		R548	NRSA63D-822X	MG RESISTOR	8.2kΩ 1/16W D	
C660	NCS31HJ-101X	C CAPACITOR	100pF 50V J		R549	NRSA63J-472X	MG RESISTOR	4.7kΩ 1/16W J	
C661	NCB31HK-103X	C CAPACITOR	0.01uF 50V K		R550	NRSA63J-472X	MG RESISTOR	4.7kΩ 1/16W J	
C662	NCS31HJ-101X	C CAPACITOR	100pF 50V J		R551	NRSA63J-104X	MG RESISTOR	100kΩ 1/16W J	
C663	NCB31CK-104X	C CAPACITOR	0.1uF 16V K		R552	NRSA63J-104X	MG RESISTOR	100kΩ 1/16W J	
C664	NCB31HK-222X	C CAPACITOR	2200pF 50V K		R553	NRSA63J-183X	MG RESISTOR	18kΩ 1/16W J	
C665	NCB31CK-104X	C CAPACITOR	0.1uF 16V K		R554	NRSA63J-333X	MG RESISTOR	33kΩ 1/16W J	
C666	NCS31HJ-101X	C CAPACITOR	100pF 50V J		R555	NRSA63J-101X	MG RESISTOR	100Ω 1/16W J	
C668	NEAF0JM-476X	E CAPACITOR	47uF 6.3V M		R556	NRSA63J-0R0X	MG RESISTOR	0Ω 1/16W J	
C669	NCB31HK-103X	C CAPACITOR	0.01uF 50V K		R557	NRSA63J-104X	MG RESISTOR	100kΩ 1/16W J	
C670	NCB31CK-104X	C CAPACITOR	0.1uF 16V K		R558	NRSA63J-104X	MG RESISTOR	100kΩ 1/16W J	
C671	NBE21AM-106X	TA E CAPACITOR	10uF 10V M		R559	NRSA63J-0R0X	MG RESISTOR	0Ω 1/16W J	
C672	NCB31CK-104X	C CAPACITOR	0.1uF 16V K		R560	NRSA63J-101X	MG RESISTOR	100Ω 1/16W J	
C674	NCB31CK-104X	C CAPACITOR	0.1uF 16V K		R561	NRSA63J-104X	MG RESISTOR	100kΩ 1/16W J	
C675	NBE20JM-106X	TA E CAPACITOR	10uF 6.3V M		R562	NRSA63J-392X	MG RESISTOR	3.9kΩ 1/16W J	
C677	NDC31HJ-471X	C CAPACITOR	470pF 50V J		R563	NRSA63J-682X	MG RESISTOR	6.8kΩ 1/16W J	
C678	NDC31HJ-471X	C CAPACITOR	470pF 50V J		R564	NRSA63J-101X	MG RESISTOR	100Ω 1/16W J	
C680	NCB31CK-104X	C CAPACITOR	0.1uF 16V K		R565	NRSA63J-101X	MG RESISTOR	100Ω 1/16W J	
C682	NEAF1EM-475X	E CAPACITOR	4.7uF 25V M		R566	NRSA63J-101X	MG RESISTOR	100Ω 1/16W J	
C683	NCB31CK-104X	C CAPACITOR	0.1uF 16V K		R567	NRSA63J-473X	MG RESISTOR	47kΩ 1/16W J	
C684	NEAF1CM-476X	E CAPACITOR	47uF 16V M		R568	NRSA63J-102X	MG RESISTOR	1kΩ 1/16W J	
C685	NCB31CK-473X	C CAPACITOR	0.047uF 16V K		R569	NRSA63J-102X	MG RESISTOR	1kΩ 1/16W J	
C686	NCB31CK-473X	C CAPACITOR	0.047uF 16V K		R570	NRSA63J-102X	MG RESISTOR	1kΩ 1/16W J	
C687	NCB31CK-473X	C CAPACITOR	0.047uF 16V K		R571	NRSA63J-473X	MG RESISTOR	47kΩ 1/16W J	
C688	NCB31CK-473X	C CAPACITOR	0.047uF 16V K		R573	NRSA63J-332X	MG RESISTOR	3.3kΩ 1/16W J	
C689	NEAF1CM-476X	E CAPACITOR	47uF 16V M		R574	NRSA63J-332X	MG RESISTOR	3.3kΩ 1/16W J	
C690	NBE20JM-106X	TA E CAPACITOR	10uF 6.3V M		R575	NRSA63J-470X	MG RESISTOR	47Ω 1/16W J	
C693	NEAF1CM-476X	E CAPACITOR	47uF 16V M		R576	NRSA63J-470X	MG RESISTOR	47Ω 1/16W J	
C907	NEAF0JM-476X	E CAPACITOR	47uF 6.3V M		R577	NRSA63J-101X	MG RESISTOR	100Ω 1/16W J	
C908	NCB31CK-104X	C CAPACITOR	0.1uF 16V K		R578	NRSA63J-101X	MG RESISTOR	100Ω 1/16W J	
					R579	NRSA63J-101X	MG RESISTOR	100Ω 1/16W J	
R431	NRSA63J-225X	MG RESISTOR	2.2MΩ 1/16W J		R580	NRSA63J-101X	MG RESISTOR	100Ω 1/16W J	
R432	NRSA63J-102X	MG RESISTOR	1kΩ 1/16W J		R581	NRSA63J-101X	MG RESISTOR	100Ω 1/16W J	
R434	NRSA63J-0R0X	MG RESISTOR	0Ω 1/16W J		R582	NRSA63J-101X	MG RESISTOR	100Ω 1/16W J	
R437	NRSA63J-102X	MG RESISTOR	1kΩ 1/16W J		R583	NRSA63J-101X	MG RESISTOR	100Ω 1/16W J	
R438	NRSA63J-102X	MG RESISTOR	1kΩ 1/16W J		R584	NRSA63J-101X	MG RESISTOR	100Ω 1/16W J	
R439	NRSA63J-101X	MG RESISTOR	100Ω 1/16W J		R585	NRSA63J-101X	MG RESISTOR	100Ω 1/16W J	
R440	NRSA63J-473X	MG RESISTOR	47kΩ 1/16W J		R586	NRSA63J-101X	MG RESISTOR	100Ω 1/16W J	
R441	NRSA63J-222X	MG RESISTOR	2.2kΩ 1/16W J		R587	NRSA63J-101X	MG RESISTOR	100Ω 1/16W J	
R501	NRSA63J-102X	MG RESISTOR	1kΩ 1/16W J		R588	NRSA63J-101X	MG RESISTOR	100Ω 1/16W J	
R502	NRSA63J-102X	MG RESISTOR	1kΩ 1/16W J		R589	NRSA63J-101X	MG RESISTOR	100Ω 1/16W J	
R503	NRSA63J-102X	MG RESISTOR	1kΩ 1/16W J		R590	NRSA63J-101X	MG RESISTOR	100Ω 1/16W J	
R504	NRSA63J-101X	MG RESISTOR	100Ω 1/16W J		R591	NRSA63J-101X	MG RESISTOR	100Ω 1/16W J	
R505	NRSA63J-101X	MG RESISTOR	100Ω 1/16W J		R592	NRSA63J-473X	MG RESISTOR	47kΩ 1/16W J	
R506	NRSA63J-473X	MG RESISTOR	47kΩ 1/16W J		R593	NRSA63J-0R0X	MG RESISTOR	0Ω 1/16W J	
R507	NRSA63J-473X	MG RESISTOR	47kΩ 1/16W J		R594	NRSA63J-473X	MG RESISTOR	47kΩ 1/16W J	
R508	NRSA63J-473X	MG RESISTOR	47kΩ 1/16W J		R599	NRSA63J-101X	MG RESISTOR	100Ω 1/16W J	
R509	NRSA63J-473X	MG RESISTOR	47kΩ 1/16W J		R601	NRSA63J-0R0X	MG RESISTOR	0Ω 1/16W J	
R510	NRSA63J-101X	MG RESISTOR	100Ω 1/16W J		R602	NRSA63J-0R0X	MG RESISTOR	0Ω 1/16W J	
R511	NRSA63J-102X	MG RESISTOR	1kΩ 1/16W J		R603	NRSA63D-183X	MG RESISTOR	18kΩ 1/16W D	
R512	NRSA63J-473X	MG RESISTOR	47kΩ 1/16W J		R604	NRSA63D-183X	MG RESISTOR	18kΩ 1/16W D	
R513	NRSA63J-102X	MG RESISTOR	1kΩ 1/16W J		R605	NRSA63J-220X	MG RESISTOR	22Ω 1/16W J	

△ Symbol No.	Part No.	Part Name	Description	Local	△ Symbol No.	Part No.	Part Name	Description	Local
R606	NRSA63J-220X	MG RESISTOR	22Ω 1/16W J						
R609	NRSA63J-473X	MG RESISTOR	47kΩ 1/16W J		CN502	QGF0501F1-08X	CONNECTOR	FFC/FPC (1-8)	
R611	NRSA63J-473X	MG RESISTOR	47kΩ 1/16W J		CN503	QGB2027L5-20X	CONNECTOR	B-B (1-20)	
R612	NRSA63J-0R0X	MG RESISTOR	0Ω 1/16W J		CN601	QGF1006F2-15W	CONNECTOR	FFC/FPC (1-15)	
R613	NRSA63J-101X	MG RESISTOR	100Ω 1/16W J		CN602	QGF1038F1-05X	CONNECTOR	FFC/FPC (1-5)	
R614	NRSA63J-101X	MG RESISTOR	100Ω 1/16W J		CN901	NNZ0104-001X	SD CARD CONNE		
R615	NRSA63J-151X	MG RESISTOR	150Ω 1/16W J		SW4	NSW0219-001X	PUSH SWITCH		
R617	NRSA63J-473X	MG RESISTOR	47kΩ 1/16W J		SW5	NSW0219-001X	PUSH SWITCH		
R618	NRSA63J-101X	MG RESISTOR	100Ω 1/16W J		TH501	NAD0028-103X	N THERMISTOR	10kΩ	
R619	NRSA63J-101X	MG RESISTOR	100Ω 1/16W J		X430	NAX0375-001X	CRYSTAL	16.9344MHz	
R621	NRSA63J-470X	MG RESISTOR	47Ω 1/16W J		X501	NAX0385-001X	CRYSTAL	24.576MHz	
R622	NRSA63J-470X	MG RESISTOR	47Ω 1/16W J						
R623	NRSA63J-470X	MG RESISTOR	47Ω 1/16W J						
R624	NRSA63J-562X	MG RESISTOR	5.6kΩ 1/16W J						
R625	NRSA63J-473X	MG RESISTOR	47kΩ 1/16W J						
R626	NRSA63J-474X	MG RESISTOR	470kΩ 1/16W J						
R627	NRSA63J-183X	MG RESISTOR	18kΩ 1/16W J						
R628	NRSA63J-225X	MG RESISTOR	2.2MΩ 1/16W J						
R629	NRSA63J-223X	MG RESISTOR	22kΩ 1/16W J						
R630	NRSA63J-101X	MG RESISTOR	100Ω 1/16W J						
R631	NRSA63J-103X	MG RESISTOR	10kΩ 1/16W J						
R632	NRSA63J-473X	MG RESISTOR	47kΩ 1/16W J						
R635	NRSA63J-101X	MG RESISTOR	100Ω 1/16W J						
R636	NRSA63J-101X	MG RESISTOR	100Ω 1/16W J						
R637	NRSA63J-105X	MG RESISTOR	1MΩ 1/16W J						
R638	NRSA63J-472X	MG RESISTOR	4.7kΩ 1/16W J						
R639	NRSA63J-472X	MG RESISTOR	4.7kΩ 1/16W J						
R640	NRSA63J-472X	MG RESISTOR	4.7kΩ 1/16W J						
R641	NRSA63J-472X	MG RESISTOR	4.7kΩ 1/16W J						
R642	NRSA63J-103X	MG RESISTOR	10kΩ 1/16W J						
R643	NRSA63J-332X	MG RESISTOR	3.3kΩ 1/16W J						
R651	NRSA63J-104X	MG RESISTOR	100kΩ 1/16W J						
R653	NRSA63J-0R0X	MG RESISTOR	0Ω 1/16W J						
R655	NRSA63J-0R0X	MG RESISTOR	0Ω 1/16W J						
R656	NRSA63J-222X	MG RESISTOR	2.2kΩ 1/16W J						
R657	NRSA63J-473X	MG RESISTOR	47kΩ 1/16W J						
R658	NRSA63J-473X	MG RESISTOR	47kΩ 1/16W J						
R659	NRSA63J-101X	MG RESISTOR	100Ω 1/16W J						
R660	NRSA63J-101X	MG RESISTOR	100Ω 1/16W J						
R661	NRSA63J-101X	MG RESISTOR	100Ω 1/16W J						
R665	NRSA63J-101X	MG RESISTOR	100Ω 1/16W J						
R666	NRSA63J-101X	MG RESISTOR	100Ω 1/16W J						
R675	NRSA63J-221X	MG RESISTOR	220Ω 1/16W J						
R678	NRSA63J-101X	MG RESISTOR	100Ω 1/16W J						
R680	NRSA63J-243X	MG RESISTOR	24kΩ 1/16W J						
R681	NRSA63J-682X	MG RESISTOR	6.8kΩ 1/16W J						
R682	NRSA63J-822X	MG RESISTOR	8.2kΩ 1/16W J						
R683	NRSA63J-562X	MG RESISTOR	5.6kΩ 1/16W J						
R684	NRSA63J-0R0X	MG RESISTOR	0Ω 1/16W J						
R685	NRSA63J-0R0X	MG RESISTOR	0Ω 1/16W J						
R686	NRSA63J-0R0X	MG RESISTOR	0Ω 1/16W J						
R687	NRSA63J-223X	MG RESISTOR	22kΩ 1/16W J						
R688	NRSA63D-163X	MG RESISTOR	16kΩ 1/16W D						
R689	NRSA63D-103X	MG RESISTOR	10kΩ 1/16W D						
R901	NRSA63J-220X	MG RESISTOR	22Ω 1/16W J						
R902	NRSA63J-220X	MG RESISTOR	22Ω 1/16W J						
R903	NRSA63J-220X	MG RESISTOR	22Ω 1/16W J						
R904	NRSA63J-220X	MG RESISTOR	22Ω 1/16W J						
R905	NRSA63J-220X	MG RESISTOR	22Ω 1/16W J						
R906	NRSA63J-220X	MG RESISTOR	22Ω 1/16W J						
R907	NRSA63J-220X	MG RESISTOR	22Ω 1/16W J						
R908	NRSA63J-473X	MG RESISTOR	47kΩ 1/16W J						
R909	NRSA63J-473X	MG RESISTOR	47kΩ 1/16W J						
L432	NQL093K-1R8X	COIL	1.8uH K						
L501	NQL114K-470X	COIL	47uH K						
L502	NQL114K-470X	COIL	47uH K						
L621	NQL114K-470X	COIL	47uH K						
L622	NQL114K-470X	COIL	47uH K						
L623	NQL114K-470X	COIL	47uH K						
L624	NQL114K-470X	COIL	47uH K						
L651	NQL114K-470X	COIL	47uH K						
L652	NQL114K-470X	COIL	47uH K						
L653	NQL114K-470X	COIL	47uH K						
L654	NQL114K-470X	COIL	47uH K						
L655	NQL114K-470X	COIL	47uH K						
L656	NQL114K-470X	COIL	47uH K						
L901	NQL114K-470X	COIL	47uH K						

# Packing materials and accessories parts list

Block No. **M** **3** **M** **M**

No additional / supplemental order of WARRANTY CARDS are available.



# Packing and Accessories

Block No. [M][3][M][M]

△ Symbol No.	Part No.	Part Name	Description	Local
A 1	LVT1311-002A	INST BOOK	SPA GRE POR	SHX751E
A 1	LVT1311-007A	INST BOOK	SPA TUR PER	SHX751EU
A 1	LVT1311-004A	INST BOOK	DUT SWE DAN FIN	SHX751EX
A 1	LVT1311-006A	INST BOOK	POL CZE HUN	SHX751EY
A 2	LVT1311-001A	INST BOOK	GER FRE ITA	SHX751E
A 2	LVT1311-003A	INST BOOK	ENG FRE	SHX751EU,SHX751EX
A 2	LVT1311-005A	INST BOOK	ENG GER RUS	SHX751EY
A 3	LVT1311-008A	INSTALL MANUAL		SHX751E
A 3	LVT1311-010A	INSTALL MANUAL		SHX751EU,SHX751EX
A 3	LVT1311-012A	INSTALL MANUAL		SHX751EY
A 4	LVT1311-009A	INSTALL MANUAL		SHX751E
A 4	LVT1311-014A	INSTALL MANUAL		SHX751EU
A 4	LVT1311-011A	INSTALL MANUAL		SHX751EX
A 4	LVT1311-013A	INSTALL MANUAL		SHX751EY
A 5	-----	WARRANTY CARD	BT-54023-1	
A 6	LVT1300-003A	IMAGE CONV.SHEE		
A 7	QAM0688-001	CD ROM		
A 8	VKZ4027-202	PLUG NUT		
A 9	VKH4871-003SS	MOUNT BOLT		
A 10	VKZ4328-003	LOCK NUT		
A 11	QYWSS50A010ZA	WASHER	0.1mm/5mm x	
A 12	GE40130-002A	HOOK	(x2)	
A 13	FSJB3002-00F	HARD CASE ASSY		
A 14	GE20137-003A	MOUNTING SLEEVE		
A 15	LV21648-203A	TRIM PLATE		
A 16	RM-RK300	REMOCON		
A 17	-----	BATTERY		
A 18	QAM0569-002	CAR CABLE		
KIT	SRW-SHX751E	SCREW PART KIT	A8 A9 A10 A11 A12	
P 1	QPA01703505P	POLY BAG	17cm x 35cm(x2)	
P 2	QPA00801205	POLY BAG	8cm x 12cm	
P 3	QPC01002515	POLY BAG	10cm x 25cm	
P 4	QPA01003003	POLY BAG	10cm x 30cm	
P 5	QPC03004315P	POLY BAG	30cm x 43cm	
P 6	LV36057-001A	CARTON		
P 7	LV11111-001A	CUSHION(L)		
P 8	LV11112-001A	CUSHION(R)		

# JVC

## SCHEMATIC DIAGRAMS

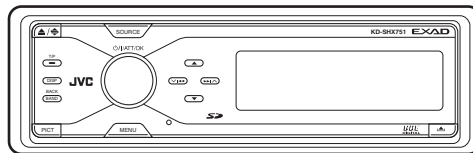
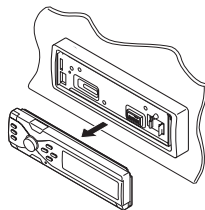
### CD/SD RECEIVER

# KD-SHX751

CD-ROM No.SML200504

#### Area suffix

E ----- Southern Europe  
EX ----- Northern Europe  
EY ----- Eastern Europe  
EU ----- Turkey



**EXAD**

**SD**

**PICT**


**R-D-S**

**COMPACT  
disc  
DIGITAL AUDIO  
TEXT**

**BBE  
DIGITAL**

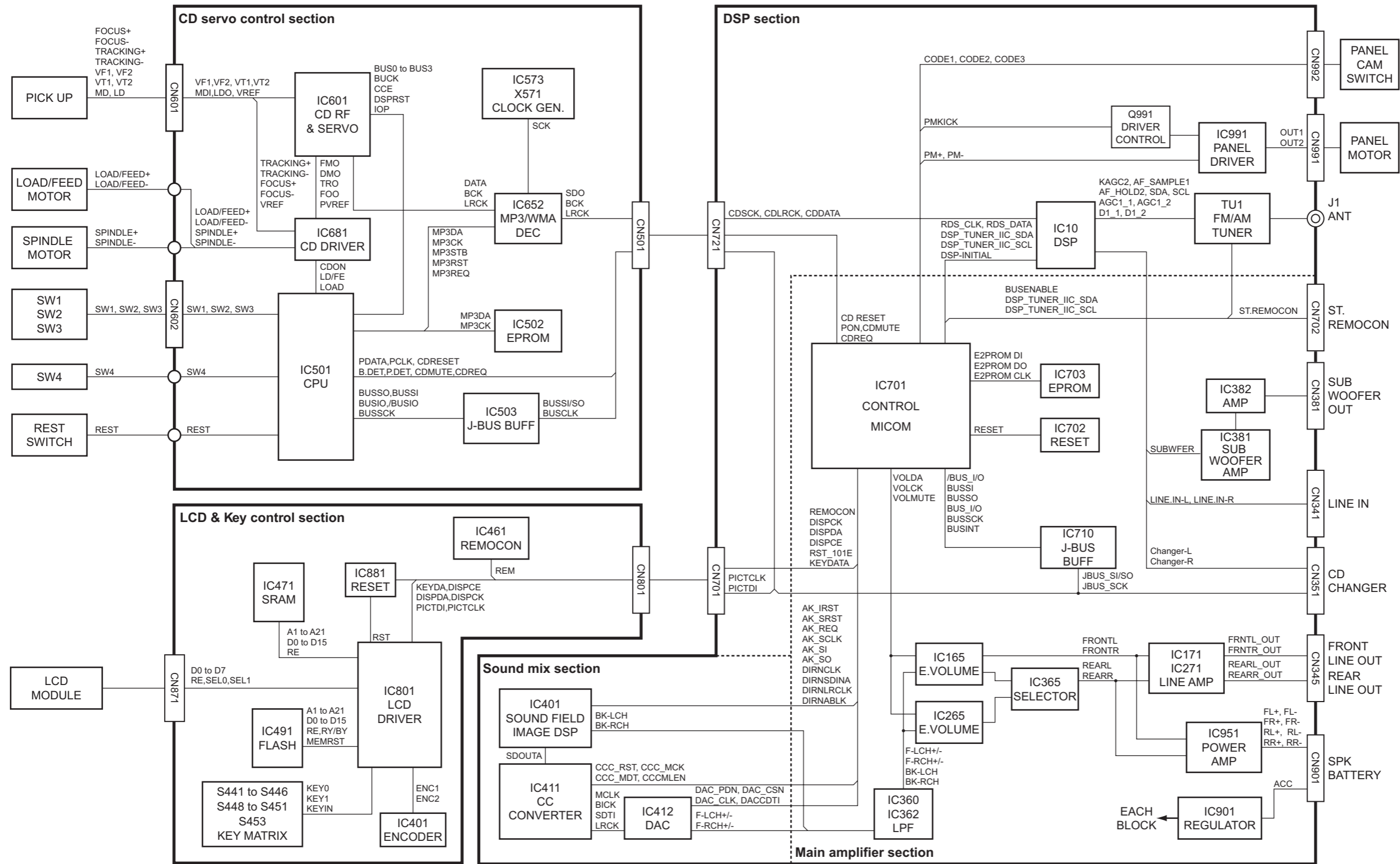
Block diagram .....	2-1
Standard schematic diagrams .....	2-2
Printed circuit boards .....	2-7 to 9

## Safety precaution

 **CAUTION** Burrs formed during molding may be left over on some parts of the chassis. Therefore, pay attention to such burrs in the case of performing repair of this system.

 **CAUTION** Please use enough caution not to see the beam directly or touch it in case of an adjustment or operation check.

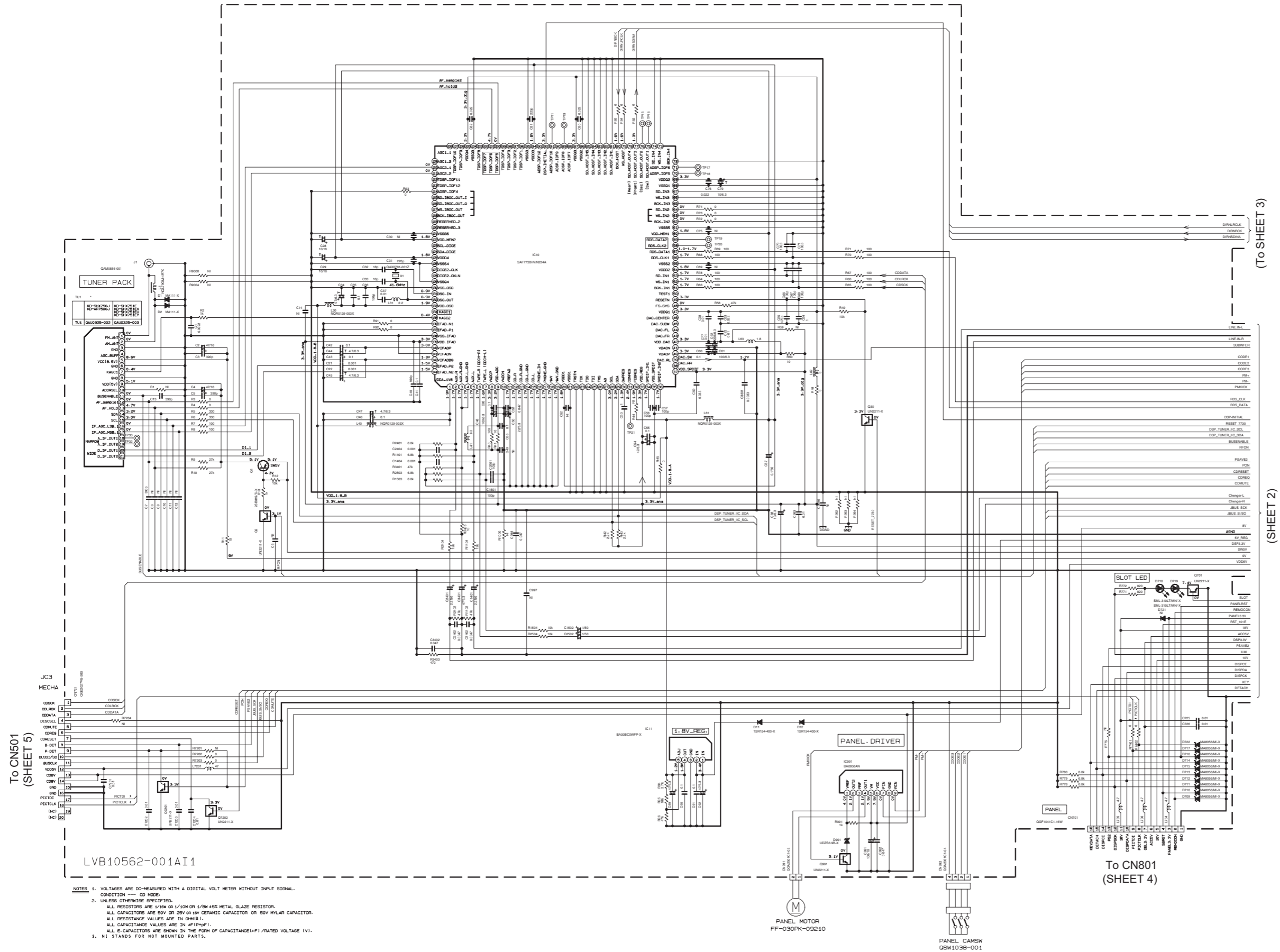
# Block diagram



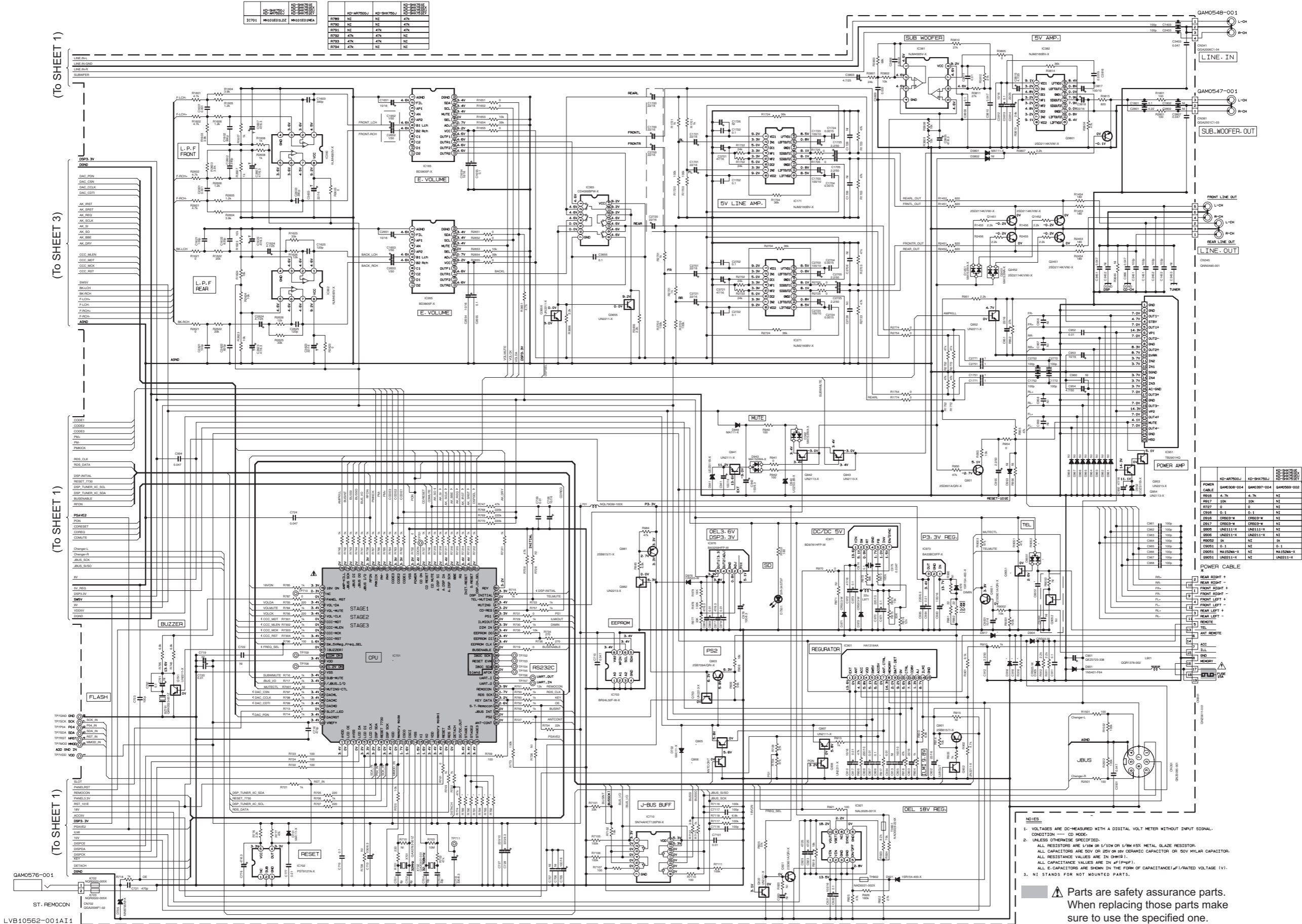


# Standard schematic diagrams

## ■ DSP section



Main section



NO.	QTY	DESCRIPTION	MANUFACTURER
R780	1	RES 10K	ROHM
R781	1	RES 10K	ROHM
R782	1	RES 10K	ROHM
R783	1	RES 10K	ROHM
R784	1	RES 10K	ROHM

NO.	QTY	DESCRIPTION	MANUFACTURER
C100	1	CAP 100UF	ROHM
C101	1	CAP 100UF	ROHM
C102	1	CAP 100UF	ROHM
C103	1	CAP 100UF	ROHM
C104	1	CAP 100UF	ROHM

NO.	QTY	DESCRIPTION	MANUFACTURER
IC100	1	CPU	SAMSUNG
IC101	1	EEPROM	SAMSUNG
IC102	1	EEPROM	SAMSUNG
IC103	1	EEPROM	SAMSUNG
IC104	1	EEPROM	SAMSUNG

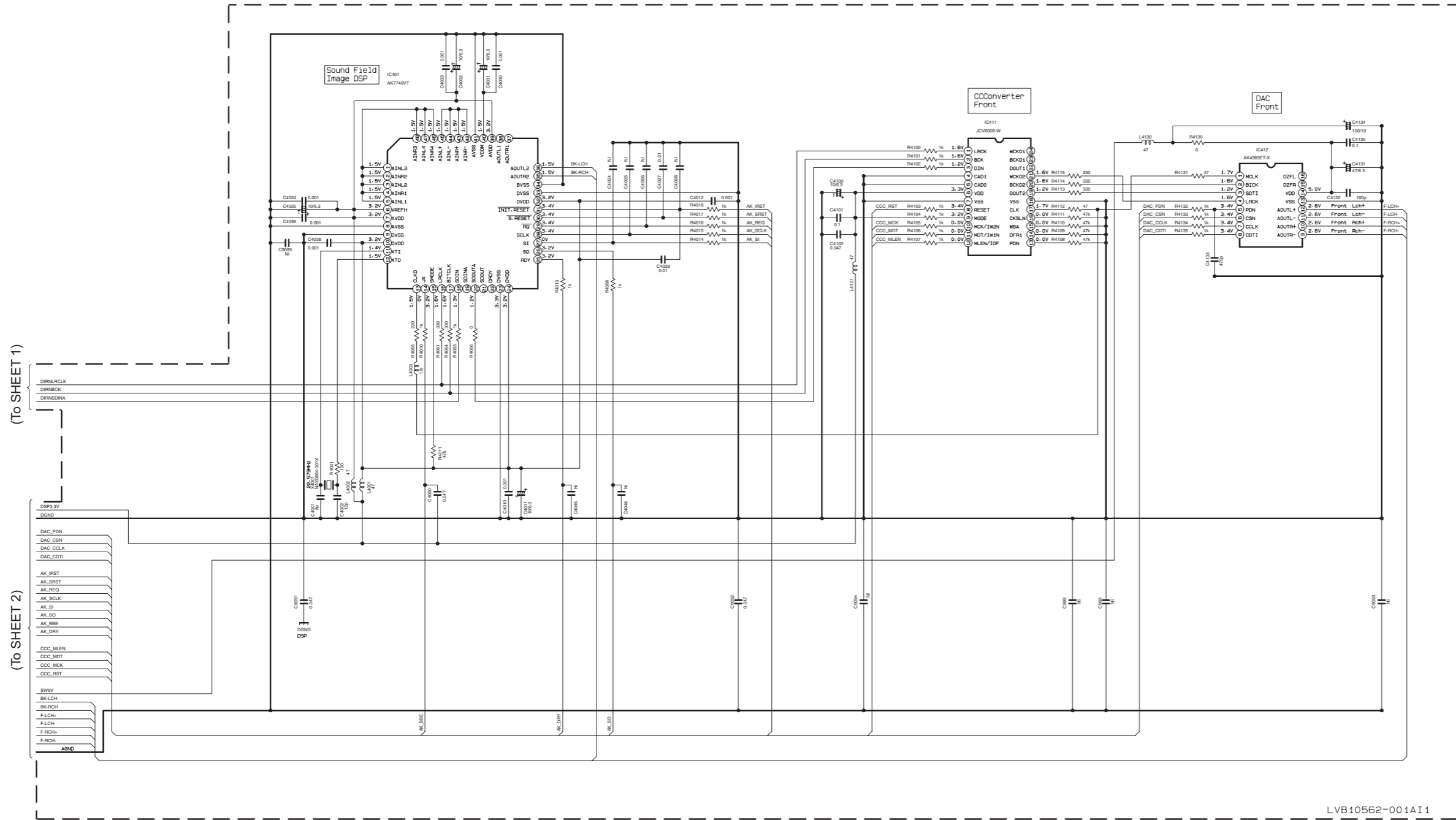
NO.	QTY	DESCRIPTION	MANUFACTURER
IC105	1	REGULATOR	ROHM
IC106	1	REGULATOR	ROHM
IC107	1	REGULATOR	ROHM
IC108	1	REGULATOR	ROHM
IC109	1	REGULATOR	ROHM

NO.	QTY	DESCRIPTION	MANUFACTURER
IC110	1	AMP	ROHM
IC111	1	AMP	ROHM
IC112	1	AMP	ROHM
IC113	1	AMP	ROHM
IC114	1	AMP	ROHM

- NOTES
- VOLTAGES ARE DC-MEASURED WITH A DIGITAL VOLT METER WITHOUT INPUT SIGNAL. CONDITION — CD MODE.
  - UNLESS OTHERWISE SPECIFIED, ALL RESISTORS ARE 1/16W OR 1/8W 5% METAL GLAZE RESISTOR. ALL CAPACITORS ARE 50V OR 50V CERAMIC CAPACITOR OR 50V MYLAR CAPACITOR. ALL RESISTANCE VALUES ARE IN OHMS (Ω).
  - ALL CAPACITANCE VALUES ARE IN pF (pF).
  - ALL E-CAPACITORS ARE SHOWN IN THE FORM OF CAPACITANCE (μF)/RATED VOLTAGE (V).
  - N1 STANDS FOR NOT MOUNTED PARTS.

⚠ Parts are safety assurance parts. When replacing those parts make sure to use the specified one.

■ Sound mix section

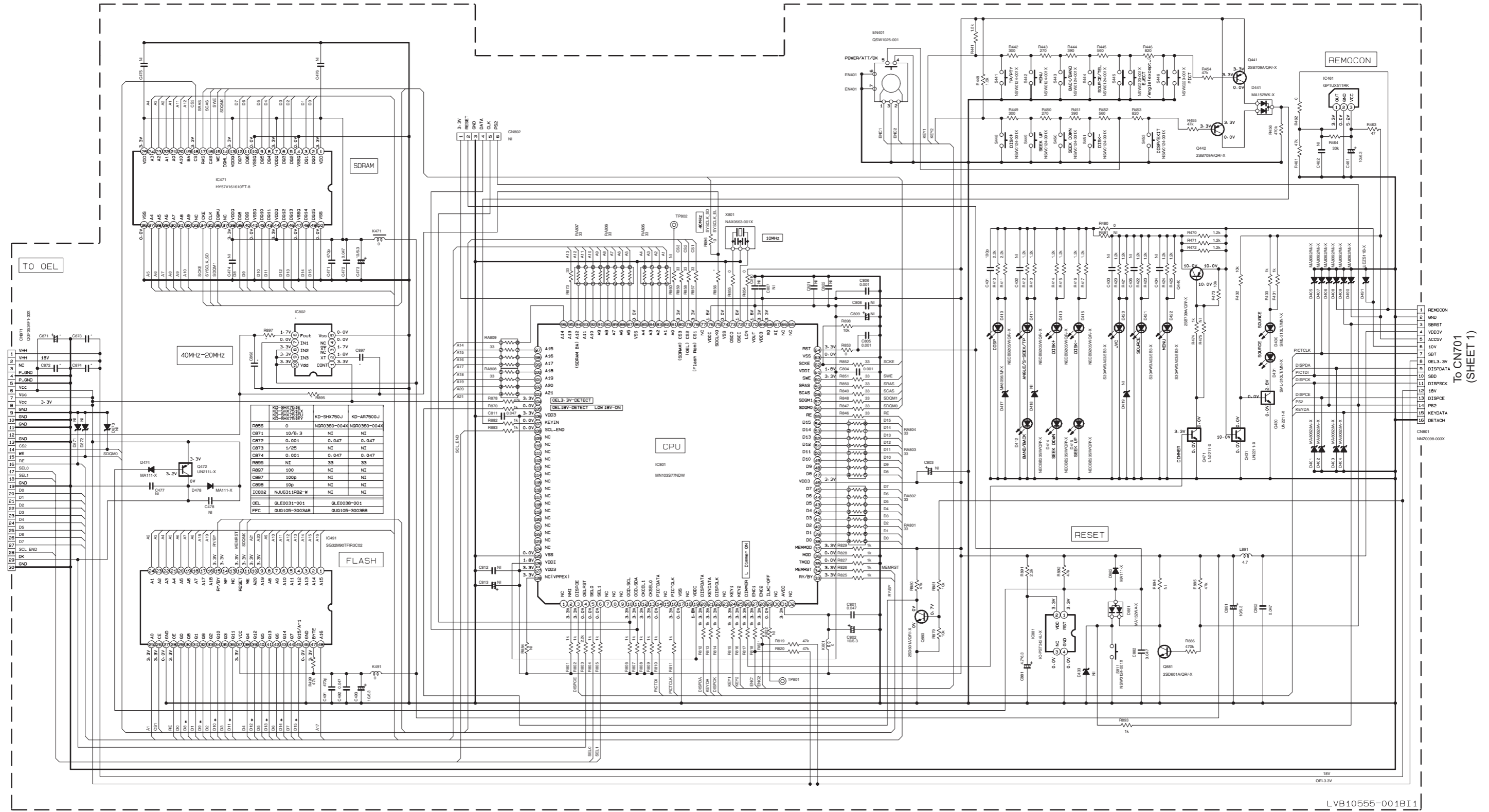


LVB10562-001A11

		UN211L
		UN2211
		UN2213
		UN2111
		UN2214

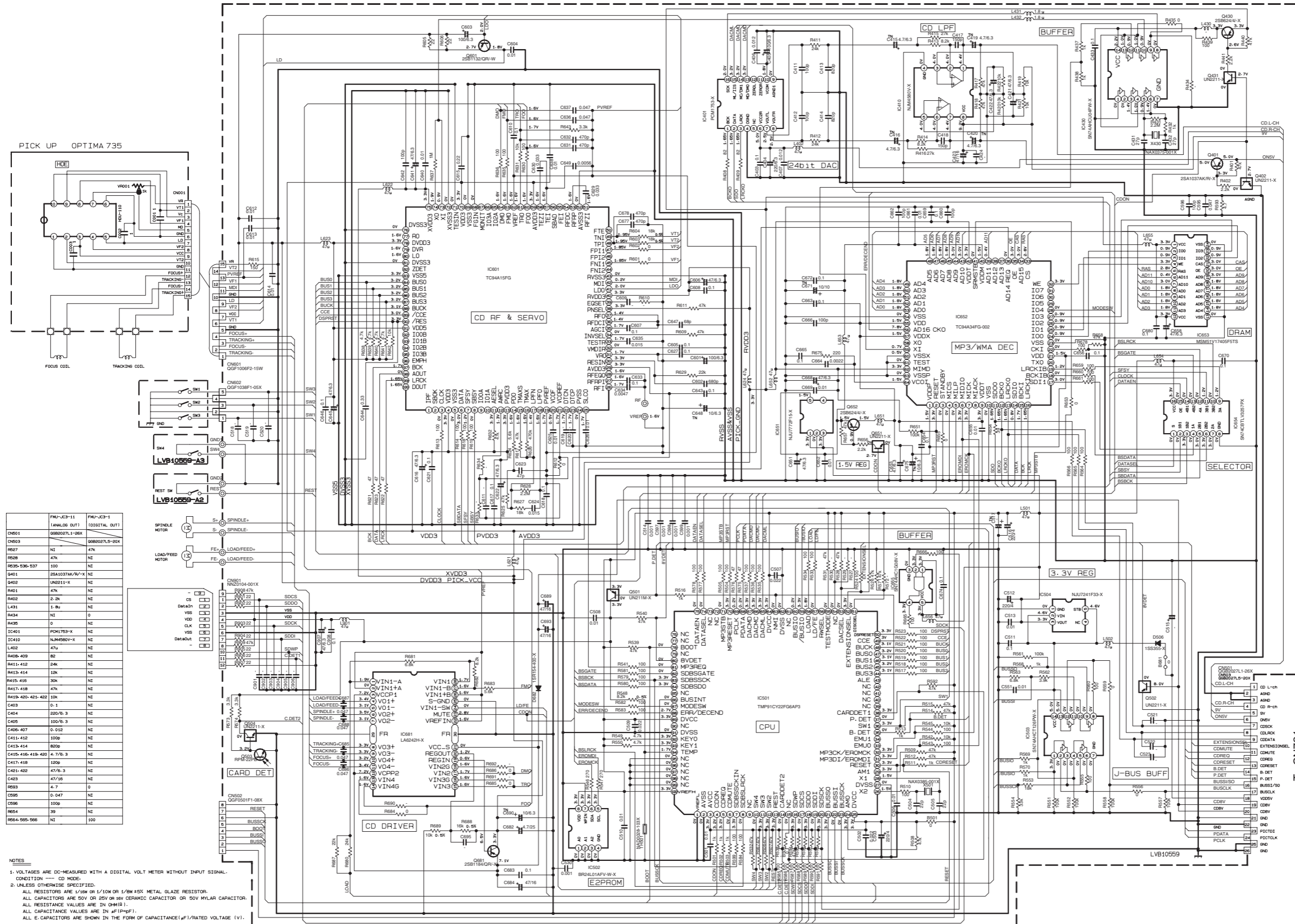
- NOTES**
- VOLTAGES ARE DC-MEASURED WITH A DIGITAL VOLT METER WITHOUT INPUT SIGNAL. CONDITION --- CD MODE.
  - UNLESS OTHERWISE SPECIFIED:  
ALL RESISTORS ARE 1/16W OR 1/10W OR 1/8W ±5% METAL GLAZE RESISTOR.  
ALL CAPACITORS ARE 50V OR 25V OR 16V CERAMIC CAPACITOR OR 50V NYLAR CAPACITOR.  
ALL RESISTANCE VALUES ARE IN OHM(Ω).  
ALL CAPACITANCE VALUES ARE IN pF(pF).  
ALL E-CAPACITORS ARE SHOWN IN THE FORM OF CAPACITANCE/μF/RATED VOLTAGE (V).
  - NI STANDS FOR NOT MOUNTED PARTS.

# LCD & Key control section



- NOTES**
1. VOLTAGES ARE DC-MEASURED WITH A DIGITAL VOLT METER WITHOUT INPUT SIGNAL. CONDITION --- CD MODE.
  2. UNLESS OTHERWISE SPECIFIED. ALL RESISTORS ARE 1/8W OR 1/10W OR 1/8W ±5% METAL GLAZE RESISTOR. ALL CAPACITORS ARE 50V OR 25V OR 16V CERAMIC CAPACITOR OR 50V MYLAR CAPACITOR. ALL RESISTANCE VALUES ARE IN Ω(M). ALL CAPACITANCE VALUES ARE IN pF(pF).
  3. ALL CAPACITORS ARE SHOWN IN THE FORM OF CAPACITANCE(F)/RATED VOLTAGE (V).

CD servo control section



PN#	IC3-11	PN#	IC3-1
QTY	(ANALOG OUT)	QTY	(DIGITAL OUT)
CN501	988207L1-26K	988207L5-26K	
R507	N1	47K	N1
R508	47K	N1	
R535-536-537	100	N1	
Q401	2S41037AK/V-X	N1	
Q402	UN2211-X	N1	
RA01	47K	N1	
RA02	2.2K	N1	
LA31	1.8K	N1	
RA34	N1	0	
RA36	0	N1	
IC401	PM1753-X	N1	
IC410	NM4560V-X	N1	
LA02	47K	N1	
RA09-409	82	N1	
RA11-418	5K	N1	
RA13-414	1K	N1	
RA15-416	30K	N1	
RA17-418	47K	N1	
RA19-420-421-422	10K	N1	
CA03	0.1	N1	
CA04	200K/6.3	N1	
CA05	100K/6.3	N1	
CA06-407	0.012	N1	
CA11-412	100P	N1	
CA13-414	820P	N1	
CA15-416-419-420	4.7K/6.3	N1	
CA17-418	120P	N1	
CA21-422	47K/6.3	N1	
CA23	47K/16	N1	
R509	4.7	N1	
CS06	0.047	N1	
CS06	100P	N1	
RE54	39	N1	
RE64-995-996	N1	100	

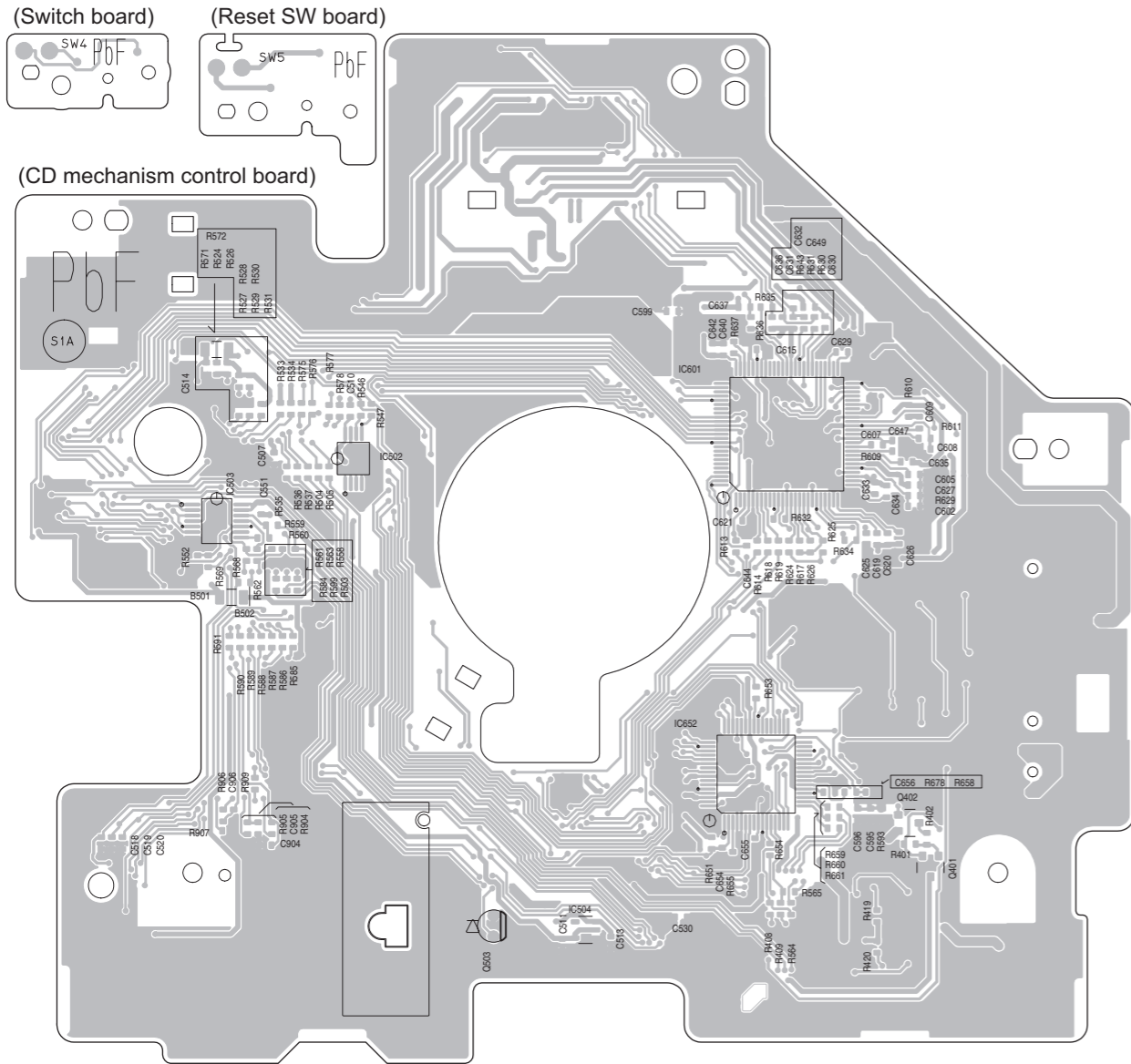
NOTES  
 1. VOLTAGES ARE DC-MEASURED WITH A DIGITAL VOLT METER WITHOUT INPUT SIGNAL. CONDITION --- CD MODE.  
 2. UNLESS OTHERWISE SPECIFIED.  
 ALL RESISTORS ARE 1/8W OR 1/10W OR 1/8W ±5% METAL GLAZE RESISTOR.  
 ALL CAPACITORS ARE 50V OR 25V OR 16V CERAMIC CAPACITOR OR 50V MYLAR CAPACITOR.  
 ALL RESISTANCE VALUES ARE IN OHMS (Ω).  
 ALL CAPACITANCE VALUES ARE IN PICO (P).  
 ALL E-CAPACITORS ARE SHOWN IN THE FORM OF CAPACITANCE/(RATED VOLTAGE (V)).

To CN721 (SHEET 1)

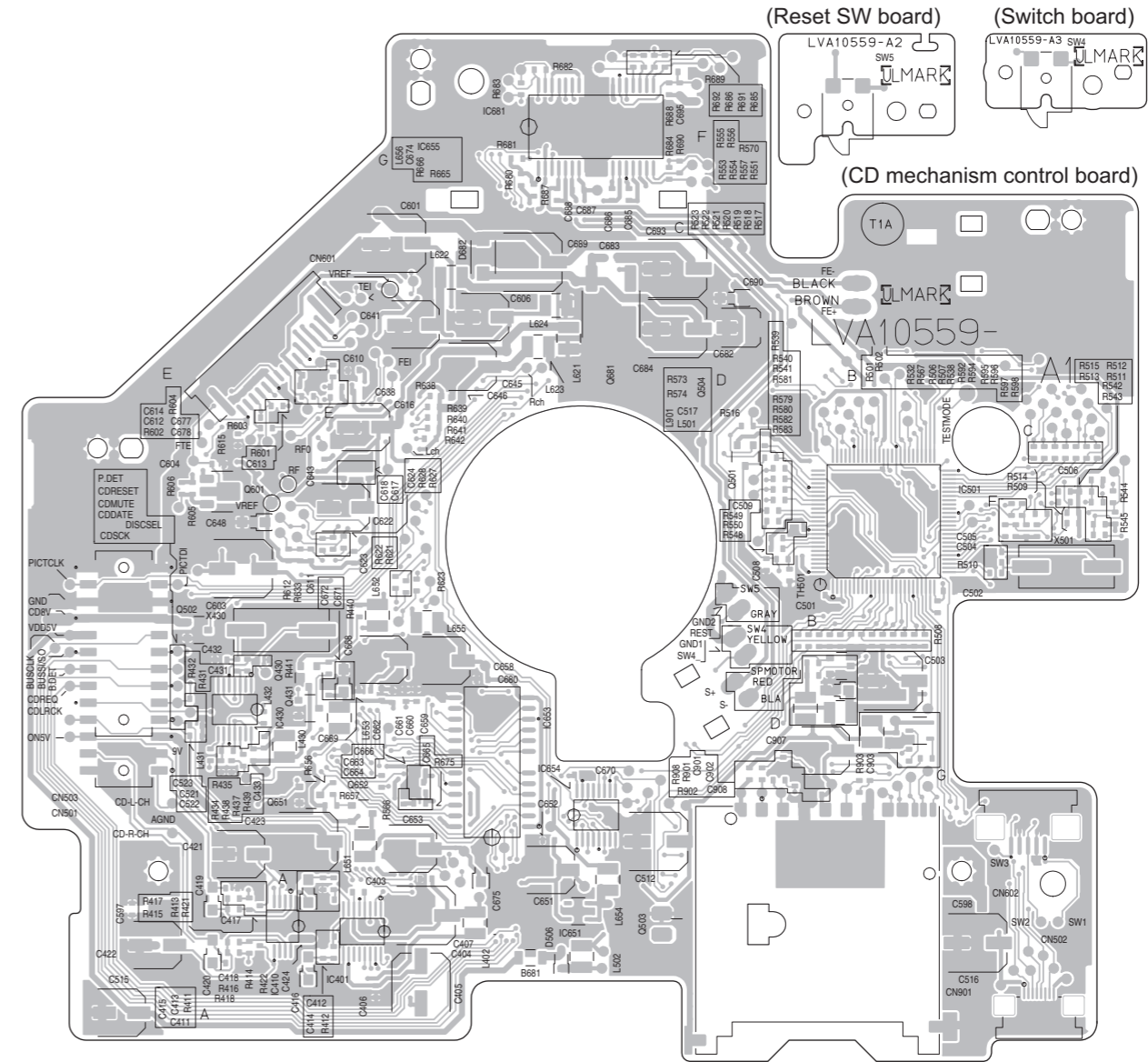


■ CD mechanism control board

Forward side

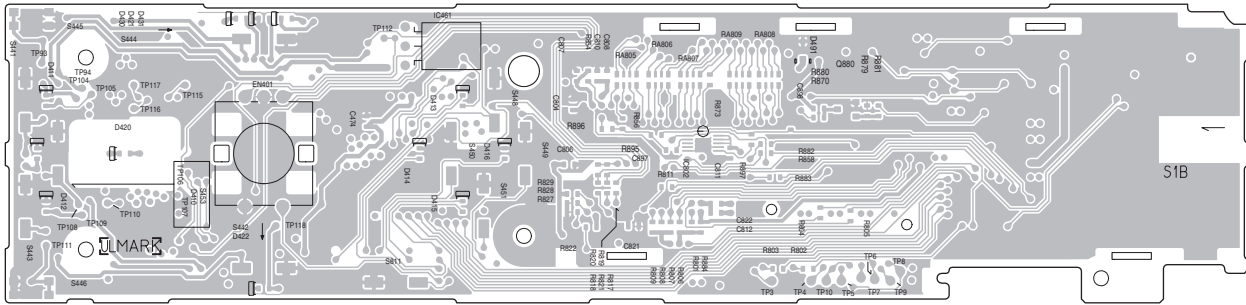


Reverse side

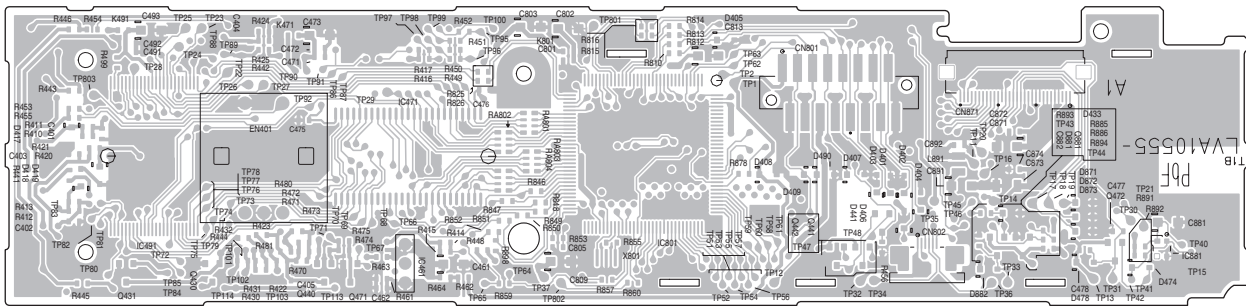


# Switch board

Forward side



Reverse side





**JVC**

Victor Company of Japan, Limited

AV & MULTIMEDIA COMPANY CAR ELECTRONICS CATEGORY 10-1, 1chome, Ohwatari-machi, Maebashi-city, 371-8543, Japan

(No.MA163SCH)



Printed in Japan  
VPT